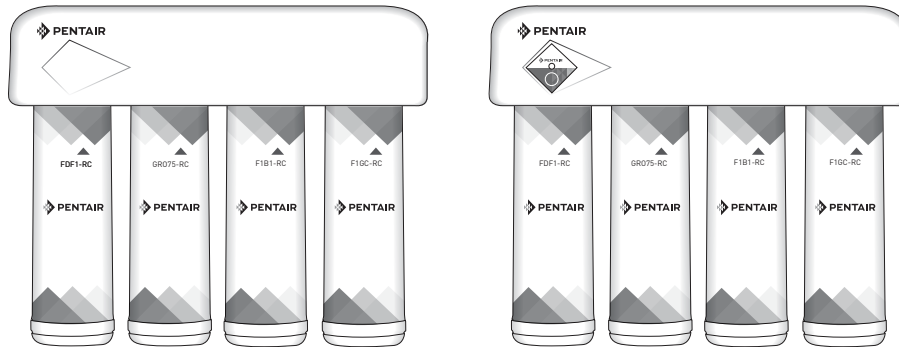
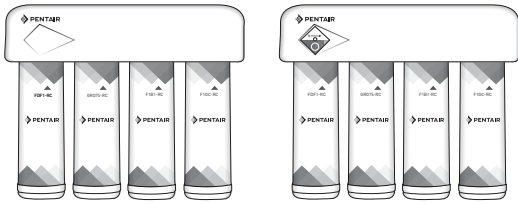




F-SERIES GRO-475B / GRO-475M REVERSE OSMOSIS WATER FILTRATION SYSTEM INSTALLATION AND OPERATION MANUAL





F-SERIES GRO-475B, GRO-475M Filtration System

INSTALLATION INSTRUCTIONS

English	Pages 3-18
Repair Parts	Pages 15-16

F-SERIES GRO-475B, GRO-475M Sistema de filtración

INSTRUCCIONES DE INSTALACIÓN

Español	Páginas 19-34
Piezas de repuesto	Páginas 31-32

F-SERIES GRO-475B, GRO-475M Système de filtration

DIRECTIVES D'INSTALLATION

Français	Pages 35-50
Pièces de Rechange	Pages 47-48

IMPORTANT: Before installing this reverse osmosis system, make certain your water supply complies with the following operating specifications. Failure to do so may reduce the effectiveness of the system and will void the warranty.

SPECIFICATIONS

Pressure Range:	40 to 100 psi (2.75–6.89 bar)
Temperature Range:	40–100°F (4.4–37.8°C)
TDS:	<2000 ppm
Maximum Hardness [†] :	<10 gpg (170 mg/L)
Sulfide, Iron and Manganese [‡] :	<0.1 ppm
Chlorine in Water Supply:	<2 ppm
pH Limits:	3–11
Overall Dimensions:	14.57"W x 5.46"D x 12.54"H (370mm x 139mm x 319mm)
Weight:	8.9 lbs (4.0 kg)
Tank Dimensions:	10.91"DIA x 14.61"H (277mm DIA x 371mm)
Tank Capacity Max:	3.2 gal (12.1 L)
Tank Air Pressure Empty:	5-7 psi (0.34-0.48 bar)
Tank Weight (Full):	25.50 lb (11.6 kg)

[†]If the hardness of your water is above 10 gpg (171 mg/L), lime scale will build up rapidly on the membrane. Scale buildup will plug the membrane and make the system ineffective. We do not recommend these reverse osmosis systems to be used with water in excess of 10 gpg (171 mg/L) hardness.

[‡]A maximum total level of approximately 0.01 ppm sulfide, iron or manganese is permissible. See your local dealer to reduce these substances in your water.

PARTS INCLUDED:

- System with cartridges
- Storage Tank
- Installation Hardware Kit
- Lead-free drinking water faucet with air gap

Tools and Materials Required

- Hand or electric drill (cordless preferred)
- (2) Adjustable wrenches
- Slotted and Phillips screwdrivers
- File
- Safety glasses
- Drill bits: 1/8", 3/16", 1/4", 3/8"
- Tube cutter or utility knife
- Pencil
- Towel
- Bucket
- Screwdriver bits: 1/8", 3/16", 1/4", 3/8"

If sink does not have hole for separate faucet:

- Center punch
- 3/4" hole saw or drill bit
- Safety mask

NOTE: All tools may not be necessary for installation. Read installation procedures before starting to determine what tools are necessary.

CALIFORNIA PROPOSITION 65 WARNING

⚠ WARNING: This product contains chemicals known to the State of California to cause cancer or birth defects or other reproductive harm.

PRECAUTIONS

GENERAL

⚠ WARNING: Do not use with water that is microbiologically unsafe or of unknown quality without adequate disinfection before or after the system. Systems certified for cyst reduction* may be used on disinfected waters that may contain filterable cysts.

*NSF/ANSI Standard 53 and 58 certified to reduce cysts such as *Cryptosporidium* and *Giardia* by mechanical means.

⚠ CAUTION: RO System must be protected against freezing, which can cause cracking of the RO components and water leakage.

NOTE:

- Your water must be within required limits for satisfactory operation. If not, your membrane life may be shortened and your warranty will be voided (see Specifications on page 3).
- This reverse osmosis system will not protect against disease-causing bacteria or remove naturally-occurring harmless bacteria.
- Install on cold water line only.
- Make certain that installation complies with all state and local laws and regulations.
- The replacement cartridges and reverse osmosis element included with this system have limited service lives. Changes in taste, odor, and color of the water being filtered indicate that the cartridge should be replaced.
- After prolonged periods of non-use (such as during a vacation) it is recommended that the system be flushed for 5 minutes before it is used.
- A drinking water cartridge may contain carbon fines (very fine black powder). After installation, flush the system for 5 minutes to remove the carbon fines before using the water.
- It is recommended that you run the tap at least 20 seconds prior to using water for drinking or cooking purposes.
- The contaminants or other substances removed or reduced by this water treatment device are not necessarily present in your water.

HOW REVERSE OSMOSIS WORKS

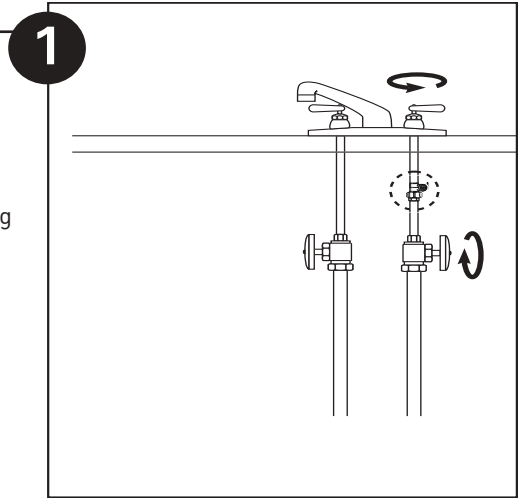
The GRO-475B/GRO-475M Reverse Osmosis (RO) System uses a semi-permeable membrane to reduce dissolved salts and minerals, improving the taste and odor of your water. The RO membrane is made of layers of micron-thin film wound around a hollow center core. Water molecules can pass through the membrane, but dissolved salts and minerals are rejected.

The GRO-475B/GRO-475M Reverse Osmosis System features 4-stage filter action. Your water supply is pre-filtered to reduce dirt and chlorine that may foul the membrane. The RO membrane separates this pre-filtered water into PRODUCT WATER and DRAIN or REJECT WATER. Incoming water pressure forces the product water through the membrane and into the storage tank. Dissolved solids and other contaminants cannot pass through the membrane and are sent to the drain as reject water. When you open the drinking water faucet, product water is drawn from the storage tank through an activated carbon post-filter, providing you with cleaner, great-tasting water.

For each gallon of water produced, several gallons are discharged as reject water. The storage tank can hold up to 2.1 gallons (7.9 L) of water at a time, for drinking and cooking needs. When used under the Specifications on page 3 of the manual, your Reverse Osmosis membranes should last 12-24 months.

INSTALLATION

- Please read all instructions and precautions before installing and using your GRO-475B/GRO-475M.
- For standard, under-sink installation on 3/8" (9.52 mm) steel, brass, or copper cold water line.
- When selecting a mounting location of the system and tank, take into consideration the length of tubing required for connections between existing plumbing and system components. Some installation sites may require more tubing than provided in the kit.
- Numbered diagrams correspond with numbered steps.



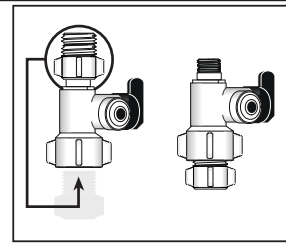
1. Installing the Water Supply Adapter

The supply adapter fits 1/2" -14 NPS supply threads or 3/8" x 3/8" compression. If local codes permit, it may be used to connect the system to the cold water supply line. If local codes do not permit the use of the supply adapter, alternate connectors can be obtained from your local supplier.

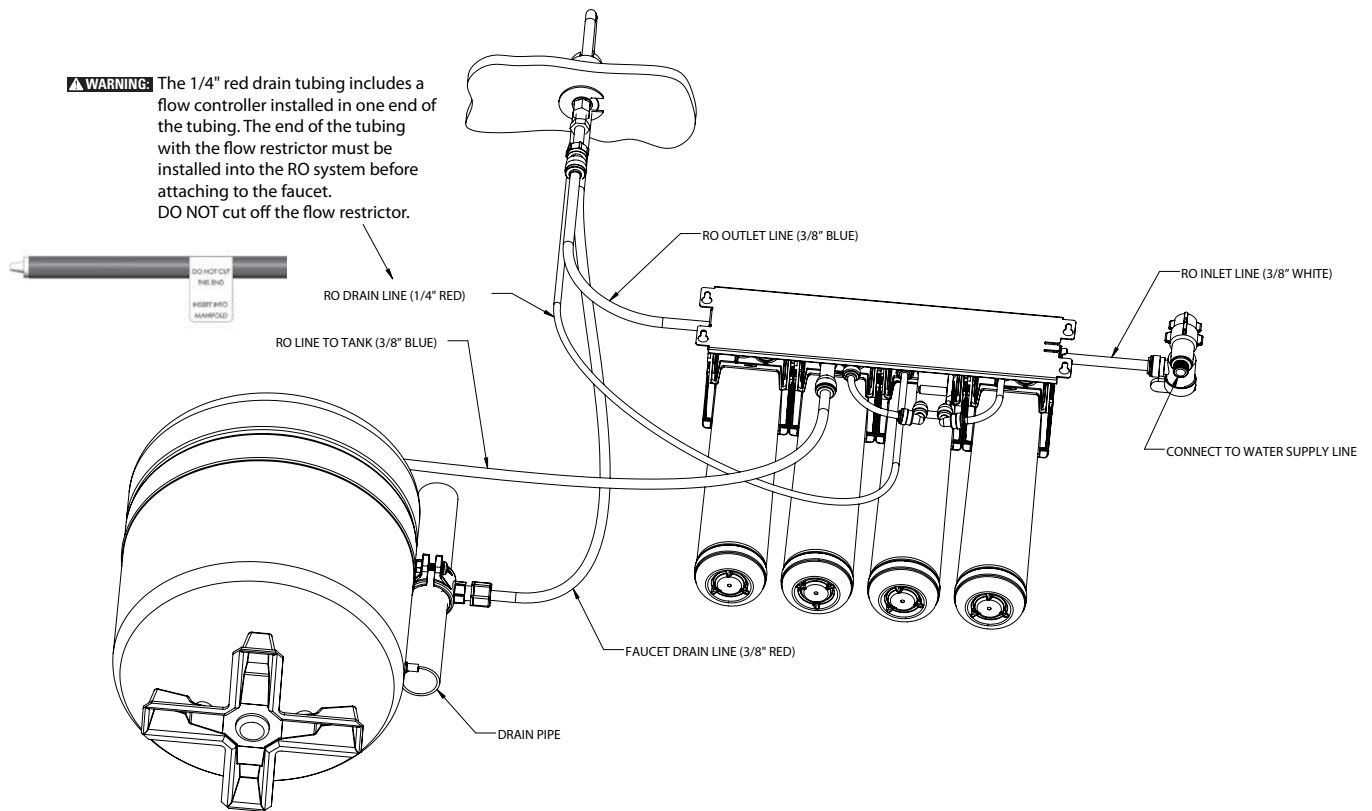
Directions:

- Turn off cold water supply line. If cold water line does not have a shut-off valve under the sink, you should install one.
- Turn on the cold water faucet and allow all water to drain from line.
- Disconnect riser cold water supply valve.
- Ensure the sealing gasket is fully seated into the feed adapter valve female thread.
- Install feed adapter valve onto supply valve as desired. The feed adapter valve may be installed at the bottom of the supply hose or the top of the cold water line. Hand tighten only.
- Connect the riser to the feed adapter valve.

NOTE: Be careful not to cross-thread.



⚠ WARNING: The 1/4" red drain tubing includes a flow controller installed in one end of the tubing. The end of the tubing with the flow restrictor must be installed into the RO system before attaching to the faucet. DO NOT cut off the flow restrictor.



4. Installing the Drain Clamp

NOTE: If you have a single-basin sink with a disposal unit, call Technical Support for options.

NOTE: Before installing the drain clamp, check the drainpipes under the sink for corrosion. Corroded pipes should be replaced before continuing with installation.

- (A) Attach the drain clamp to a vertical section of the drainpipe, about 6" above the trap. Make sure the opening on the drain clamp is facing towards the drinking water faucet.
- (B) Using the fitting hole of the drain clamp as a guide, drill a 1/4" hole through one side of the drainpipe.
- (C) Remove the drain clamp from the drainpipe and enlarge the hole with a 3/8" drill bit. Use a file to remove rough edges from the drilled hole.
- (D) Make sure the black rubber gasket is adhered to the inside of the drain clamp and place the drain clamp assembly over the drilled hole. Look through the hole and position the clamp so that the center of the clamp hole is slightly higher (about 1/16") than the center of the drilled hole. Tighten the clamp securely.
- (E) Screw the plastic compression nut onto the drain clamp until hand-tight.

5. Connecting the Faucet to the Drain

CAUTION: This is a gravity drain line. Any loops, kinks or sharp bends must be eliminated before proceeding. Failure to create a straight line to the drain may result in reject water leaking through the air gap in the faucet onto the countertop and below the faucet.

- (A) Align the larger reject 3/8" red tubing from the faucet with the compression nut on the drain clamp. Create as straight and smooth a path as possible with the tubing. Do not kink tube. Cut the tubing squarely and remove any internal and external burrs. Insert inner tube insert (white cone) into end of 3/8" red tubing. Remove compression nut from the drain clamp. Place compression nut on end of 3/8" red tubing.
- (B) Insert the tubing into the drain port until it stops. Tighten the compression nut with fingers, then tighten 1 to 2 turns with a wrench to secure tubing to drain port.

6. Mounting the System

⚠ WARNING: When selecting a mounting location of the system and tank, take into consideration the length of tubing required for connection between components. Some installation sites may require more tubing than provided in the kit.

- (A) Select a location under the sink, or other suitable area where the system will be installed.

NOTE: The system carton can be used to determine the operational footprint required for installation of the system and replacement cartridges. (Figure 6)

- (B) Mount the system vertically. Ensure mounting is level. Remove filter cartridges for easier access to bracket mounting holes. Place a pencil mark in the upper slots of the bracket mounting holes. (Figure 4b). Alternate mounting option: If mounting the system near the floor, place the pencil marks above each of the mounting holes on the bracket to ensure enough space resides below the cartridge and the floor for cartridge replacement (Figure 4c). Use the 3/32" drill bit to create pilot holes for mounting.

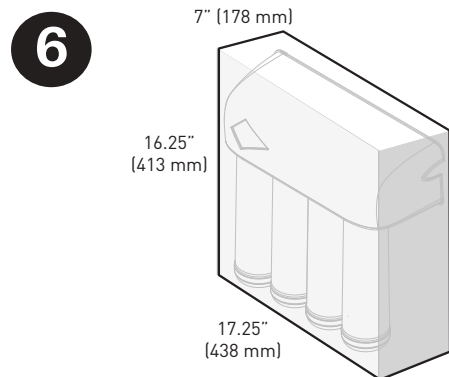
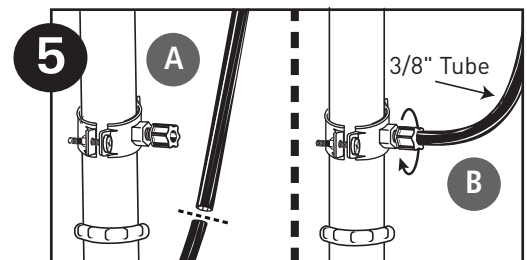
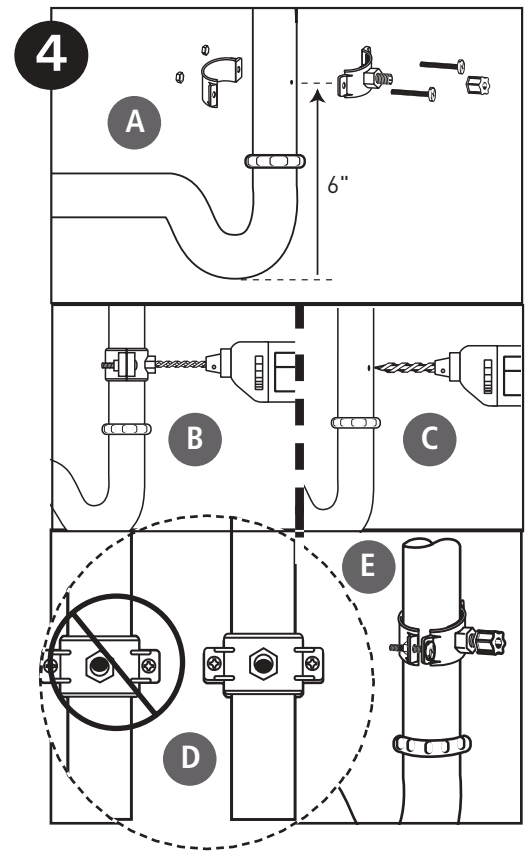
⚠ WARNING: The system should be mounted to a firm, solid surface that is able to support the weight of the system.

7. Connecting the Faucet to the System

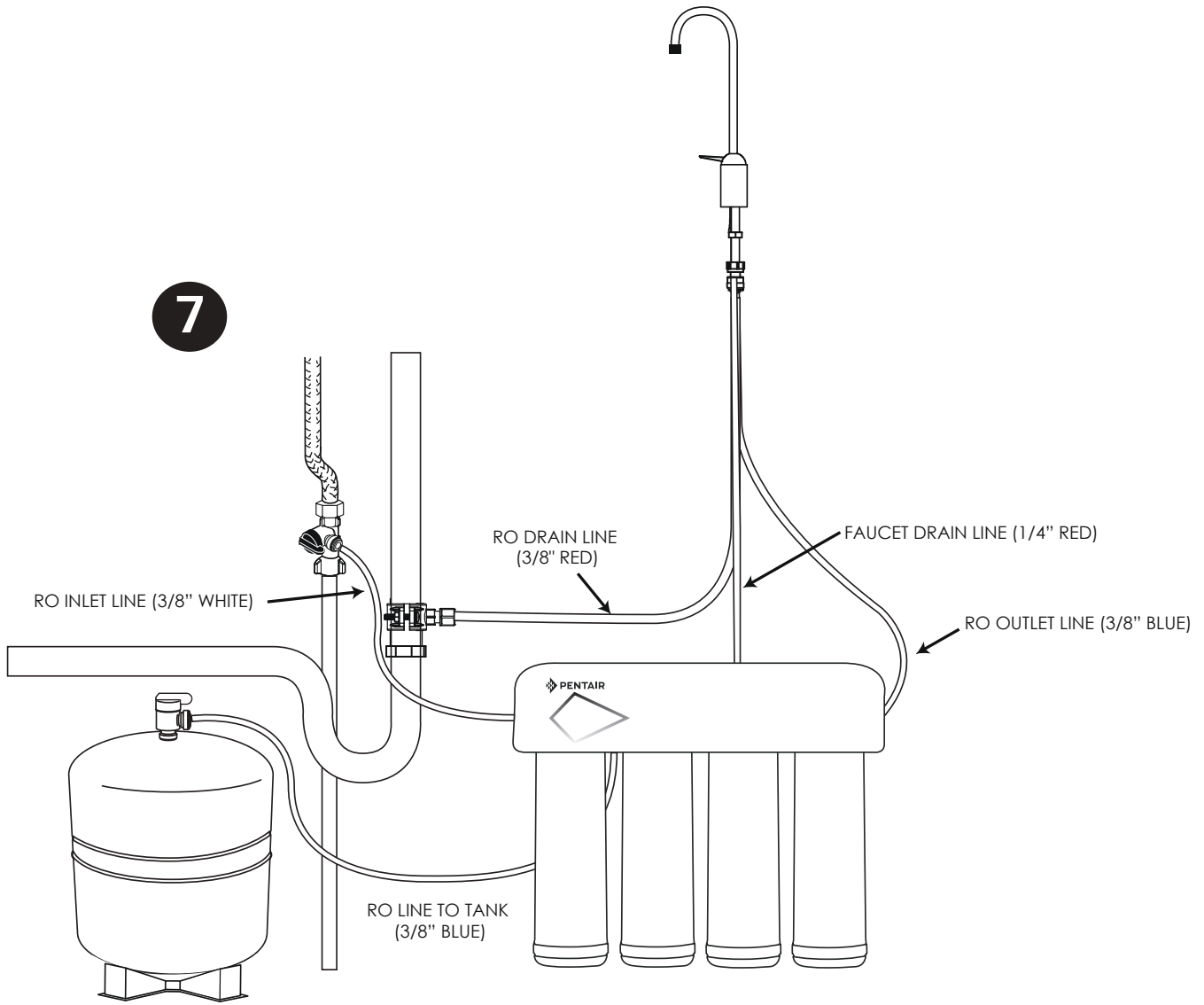
- (A) Determine the length of plastic blue tubing needed to connect to the outlet (right) side of the filter from the faucet. Be sure to allow enough tubing to prevent kinking and cut the tubing squarely. Use a marker to mark one end of the tubing 5/8" from the end. Wet the end of the 3/8" tube and push into the outlet (right) connection of the system up to the mark.

CAUTION: Do not bend or crimp tube while inserting.

- (B) Gently pull back on the tube to ensure it is connected properly.



7



INSTALLATION *CONTINUED* . . .

8. Connecting the Storage Tank to the System

CAUTION: When tank is full, it weighs approximately 19.50 lbs. (8.8 kg.) Provide ample support under the tank.

(A) To prevent leaks, apply 3 or more wraps of plumber tape to threads on tank. Thread the tank valve onto the top of the tank opening. Turn tank so handle is in line with tubing.

CAUTION: The tank/valve connection will leak if not properly sealed. Plumber tape will normally seal the threaded connection.

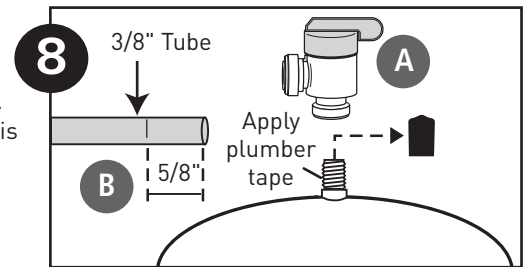
(B) Locate the 3/8" blue tubing. Place a mark on the tubing 5/8" from one end. Moisten the marked end of the tubing with water and insert with a twisting motion into the port of the tank valve until the 5/8" mark is flush with the quick connect fitting. Then locate the tank near the system's installation area.

(C) Cut the tubing to correct length. Install free end of tubing into white quick-connect fitting on the system. Ensure the tubing does not kink. Retain remaining blue tubing for use in connecting system to water supply adapter. Some installation sites may require additional tubing not provided in kit.

(D) Place entire system over mounting screws on wall and slide down.

CAUTION: Make certain system is firmly attached to wall to prevent it from falling and possibly becoming damaged.

NOTE: Use caution not to bend or pinch the tubing behind the system while attaching to mounting screws.

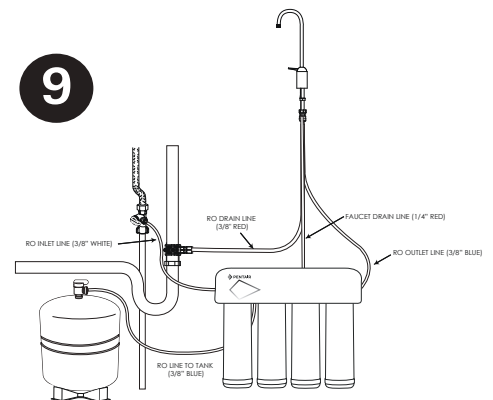


9. Connecting the System to the Water Supply Adapter

(A) Locate remaining length of 3/8" plastic blue tubing.

(B) Place a mark on the tubing 5/8" from the end. Moisten the end of the tubing with water and insert with a twisting motion push into white quick connect fitting on the left side of system. Depending on the installation, the system may need to be removed from the mounting surface to access the left side of the system.

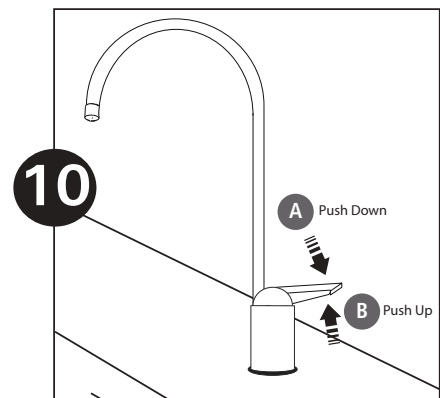
(C) Cut the tube to a length that will allow connection to the Water Supply Adapter. Ensure the tubing does not kink. Place a mark on the tubing 5/8" from the end. Moisten the end of the tubing with water and insert with a twisting motion push into quick connect fitting on the Water Supply Adapter.



10. Faucet Operation

(A) For controlled water flow, push the handle down.

(B) For constant water flow, lift the faucet handle to lock it in the open position.



11. System Start-up

NOTE: The reverse osmosis membrane is treated with a food grade sanitizing agent that may cause an undesirable taste. Although it is not harmful, it should be flushed from the system.

NOTE: The post-polishing filter may contain fine black carbon particles. These fines are harmless, but may make the water appear gray in color. The carbon fines are flushed from the system with the first tank full of water.

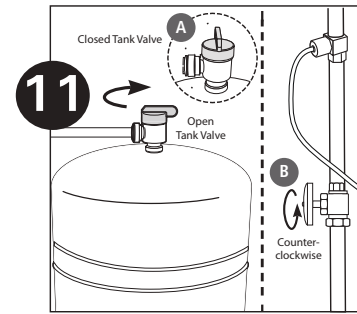
NOTE: The RO system does not produce a high volume of water on demand as an ordinary filter does. Water is produced at a slow, drop-by-drop rate. The system requires about 2 to 4 hours to fill the storage tank. As water is taken from the tank, the system automatically starts the cycle of replacing the water and then stops water production when the tank is full.

CAUTION: Visually check the entire system for leaks. If a leak is present, see Troubleshooting on page 14.

- (A) Turn off valve at top of storage tank.
- (B) Turn on the cold water supply slightly, and ensure the supply adapter valve is open.
- (C) Lift the faucet handle to lock it in the open position and let it drip for 30 min.
- (D) Completely open the cold water supply until it comes to a stop. Allow water to drip from the faucet for 12 more hours. Then close the faucet and open the valve on the storage tank. The tank valve is open when the handle lines up with the tubing connection.
- (E) Allow 3 hours for the tank to fill. Continue to periodically check the installation for leaks. After the storage tank is filled, open the faucet to flush the post-filter cartridge. Allow 4 to 5 minutes for all of the water to drain from the tank. Close faucet and allow tank to fill.
- (F) Repeat step E four times.

NOTE: Initially, the water may appear cloudy. This is a result of air trapped in the post-polishing filter. It is not harmful and will disappear in a matter of minutes. It may take up to a week after installing a new post-polishing filter for the trapped air to dissipate.

The system is ready for operation. You can now enjoy quality water from your Reverse Osmosis System.



TESTING YOUR REVERSE OSMOSIS SYSTEM

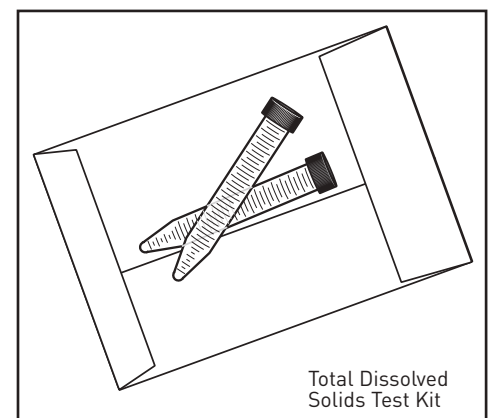
(NON-MONITORED SYSTEMS ONLY)

Model GRO-475B Reverse Osmosis System Total Dissolved Solids (TDS) Test

NOTE: It is highly recommended that you (the consumer) have your water tested at least every 6 months to verify that your system is performing satisfactorily.

SAMPLING INSTRUCTIONS:

Sampling instructions are included with the Total Dissolved Solids (TDS) Test Kit.



OPTIONAL INSTALLATION

Connecting your Reverse Osmosis System to Refrigerator Icemaker / Water Dispenser

CAUTION: If you are connecting this unit to your refrigerator/icemaker with initial RO installation, wait to turn on the icemaker until the post-polishing filter has been flushed according to Step 11.

CAUTION: Use plastic tubing and fittings. Do not use copper tubing or brass fittings.

NOTE: For optimum performance, it is recommended that the distance between the RO system and the refrigerator icemaker/water dispenser be no greater than 10 feet (3 m). At distances greater than 10 feet, the water pressure from the system may not be adequate to deliver water to the refrigerator.

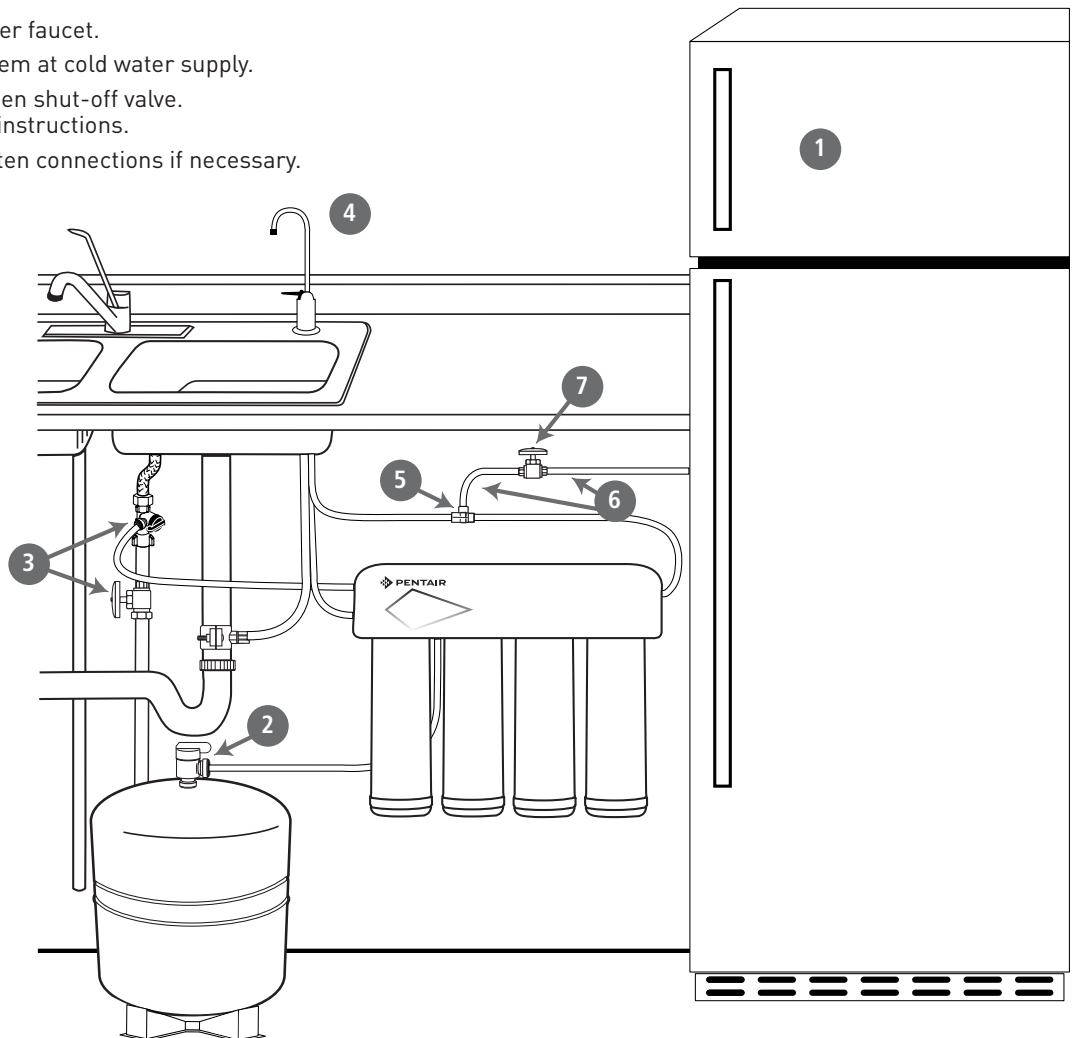
MATERIALS REQUIRED(available from your local hardware store):

- 3/8" x 3/8" x 3/8" (0.952 mm x 0.952 mm x 0.952 mm) compression or quick-connect tee
- 10 feet (3 m) of 3/8" (0.952 mm) polyethylene tubing
- Shut-off valve

1. Turn off refrigerator water supply and icemaker (consult manufacturer's guidelines).
2. Close tank valve (on top of storage tank).
3. Turn off water to RO system at the cold water supply, or at the feed water supply adapter.
4. Open drinking water faucet to relieve pressure.
5. Locate tubing (permeate) leading to your drinking water faucet. Cut and insert the 3/8" x 3/8" x 3/8" compression or quick-connect tee into the permeate tubing. Consult manufacturer's guidelines before installing the supply adapter.

NOTE: When cutting the permeate tubing, you may experience some water leakage.

6. Using a length of 3/8" polyethylene tubing, connect the icemaker/dispenser line with the free port on the compression tee.
7. The shut-off valve should be installed as close to this port of the tee as possible. Shut-off valve should be installed in the OFF position. Consult manufacturer's guidelines before installing the shut-off valve.
8. Completely open cold water supply.
9. Open tank valve.
10. Turn off the drinking water faucet.
11. Turn on water to RO system at cold water supply.
12. Turn on icemaker and open shut-off valve. Consult manufacturer's instructions.
13. Check for leaks and tighten connections if necessary.



Filter Cartridge Replacement

NOTE: The life of the filter cartridges depends on water volume used and the quality of the feed water. It is recommended that the filter cartridges be replaced every 6-12 months, or when there is a noticeable change in taste, odor, or flow of filtered water.

Ensure the correct cartridge is purchased for the system.

Model GRO-475B/GRO-475M uses FDF1-RC, GR075-RC, F1B1-RC, and F1GC-RC Replacement Cartridges

1. Cartridge Replacement

- A. Relieve pressure by turning off the water supply to the system and opening a faucet until water flow stops (wait 5 to 10 minutes after water stops to relieve pressure in RO membrane). Place a bucket or towel under the system to catch any water drips.
- B. Lift the locking bar upward until the filter cartridge disengages from the filter head assembly (Figure A).
- C. Pull the cartridge away from the filter head assembly and ensure the locking bar remains in the fully up position (Figure B).
- D. Align the posts on the filter cartridge with the ports in the filter head assembly. Slide the cartridge filter into the filter head assembly (engaging with the locking bar causing it to drop forward and down). (Figure C).
- E. Pull down the locking bar until it snaps into place (Figure D).

Troubleshooting

Leaks between filter head assembly and filter cartridge

1. Relieve pressure by turning off the water supply to the system and opening faucet until water flow stops. Place a bucket or towel under the system to catch any water drips.
2. Remove cartridge and inspect O-rings to make sure they are seated and clean.
3. Install filter cartridge. Place system into operation and check for leaks. If leaks persist, turn off the water supply and contact Technical Support at 1-800-279-9404.

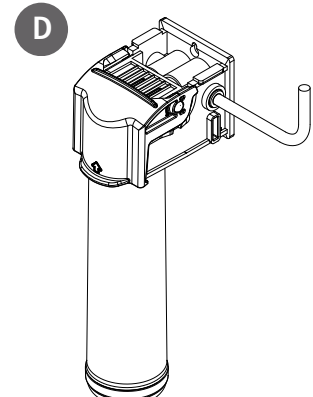
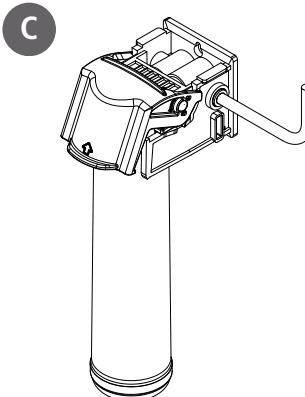
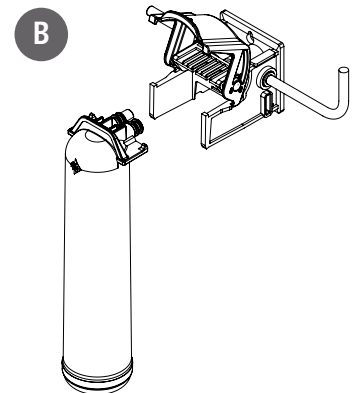
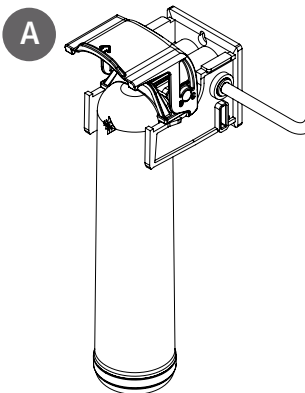
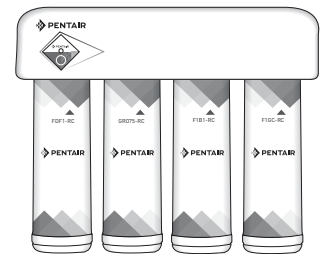
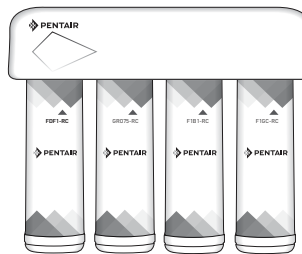
Leaks from tubing fittings

1. Relieve pressure by turning off the water supply to the system and opening faucet until water flow stops. Place a bucket or towel under the system to catch any water drips.
2. Depress collet on system or inlet supply adapter tubing fittings and pull tubing from fitting. Inspect surface of tubing for scratches or debris. Clean or cut back tubing to access clean surface.
3. Wet the end of the inlet tubing and press into the inlet fitting of the system. Ensure the tubing is fully pushed past the fitting O-rings. Place system into operation and check for leaks. If leaks persist, turn off the water supply and contact Technical Support at 1-800-279-9404.

Cartridge Sequence

GRO-475B

GRO-475M



Cartridge Timer Procedure

FILTER CARTRIDGE TIMER

(MONITORED SYSTEMS ONLY)

The filter cartridge timer can be installed to the systems decorative cover by peeling away the adhesive backing on the metal plate included with the cartridge timer. The timer can also be attached to a metal magnetic surface using the magnet that is factory installed on cartridge timer.

INSTALLATION AND ACTIVATION

Once the installation location has been selected, activate the timer by pulling the plastic tab out from the side of the timer. Press and release the key to verify the battery is operational. The light will blink green three times. (Figure A)

NOTE: The timer operates on 12 month schedule. The timer uses a coin cell type 2023 battery.

The Filter Cartridge Timer is Operational

Operation

1. The timer will begin to blink red once every three minutes after 11 months, and will blink red three times every three minutes after 12 months. (Figure B)

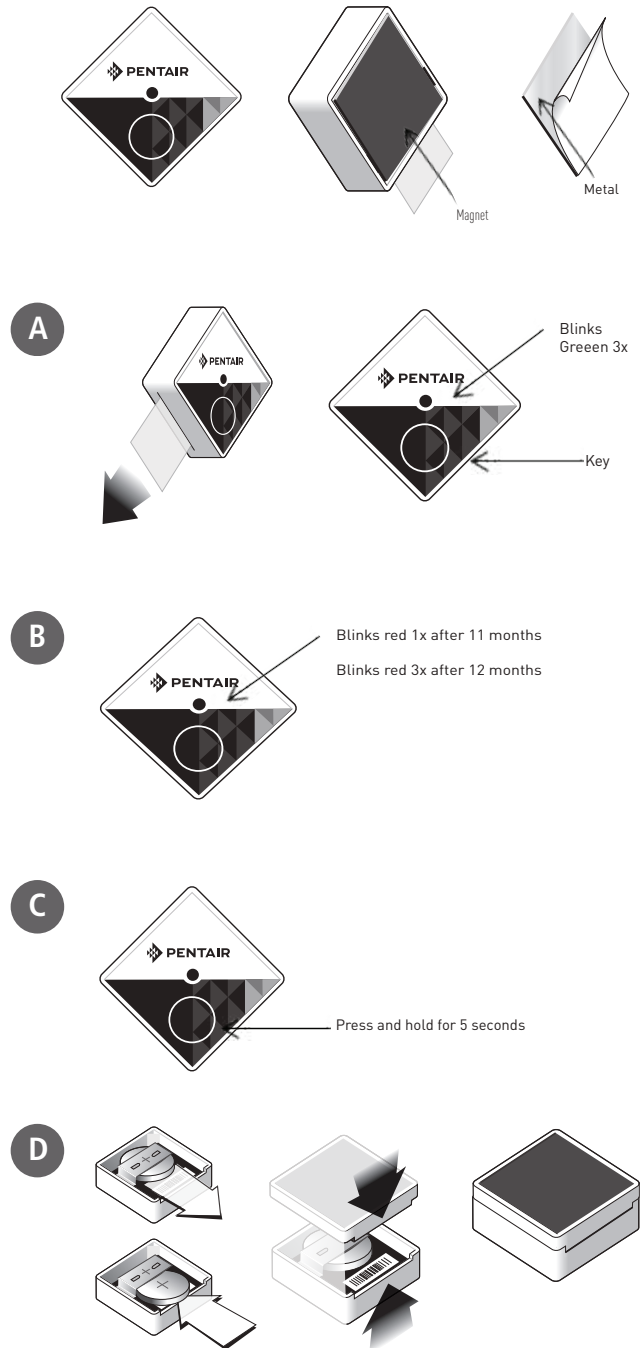
NOTE: Timer status of the cartridge life can also be viewed immediately by pressing and releasing the key.

Reset Timer

1. To reset the timer after filter cartridge replacement, press the key and hold for 5 seconds. The timer is now reset to 12 months. (Figure C)

Battery Replacement

1. Replace the battery every 12 months. To replace the battery, locate the slot on the side of the timer body and carefully remove the front of the timer. The battery is now accessible. (Figure D)
2. Slide the new battery under the battery retention bracket with the positive + side of the battery facing up towards the battery retention bracket. Align the tab on the timer back to the slot on the timer front and press and snap both timer halves together. Battery replacement will not reset the 12 month timer. If reset is required, press and hold key for 5 seconds.



TDS MONITOR

(MONITORED SYSTEMS ONLY)

The GRO-475M is equipped with a TDS monitor that checks the Total Dissolved Solids (TDS) the system is reducing from the water. The TDS Monitor allows the user to test the quality of the water produced by the system. Test the unit if a noticeable change occurs in the taste of the drinking water.

The TDS Monitor will display the following colors when pressing the test button:

Red Light (Left): Water Quality Test Required, proceed to following steps

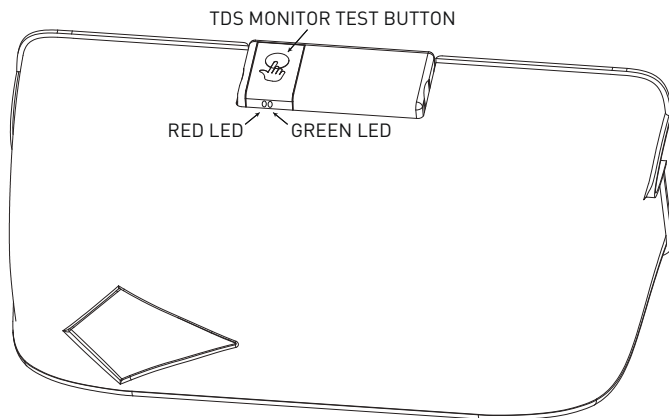
1. Draw 1 gallon of water from the unit to purge standing water from the TDS monitor probes.
2. Push button to test again. If the light is still red, open the faucet and allow water to run until the storage tank is empty. Flow from faucet will noticeably decrease indicating the storage tank is empty.
3. Close faucet and allow system to fill storage tank, 2-3 hours
4. Push button to test. If the light is still red, replace the membrane cartridge.

Green Light (Right): System Operational

Red and Green Light: Verify inlet and outlet conductivity probes dry, no water to system

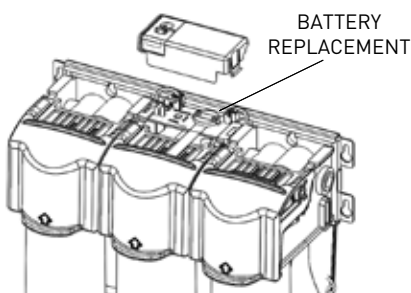
No Lights: The battery needs to be changed. Replace battery every 12 months.

NOTE: The TDS monitor is activated during initial installation by pulling the plastic tab out from the TDS monitor.



Replacing the Battery

1. Replace the battery every 12 months. To replace the battery, remove the TDS Monitor Cover and remove the battery from retainer.
2. Slide the new battery under the battery retention bracket with the positive + side of the battery facing up towards the battery retention bracket.
3. Install TDS Cover and press button to verify operation.



TROUBLESHOOTING GUIDE

Leaks on tank valve assembly

1. Open drinking water faucet to drain storage tank. Let drinking water faucet run until it drips. Turn off cold water supply.
2. Push in on white collar of tank valve fitting and pull out tubing. Unscrew the tank valve from the storage tank. Rewrap threads on top of the tank with plumber tape. Screw tank valve back onto tank. Trim 1/2" from end of tubing and reinsert 5/8" into tank valve fitting.
3. Open the cold water supply and shut off the reverse osmosis faucet. Let the system pressurize for several hours and check for leaks. Check again after tank is fully pressurized.

Leaks on quick-connect fittings

1. Close the cold water supply and tank valve.
2. Depress plastic collar and pull out tubing.
3. Cut off 1" of tubing and place a mark 5/8" from end of tubing. Tubing should be cut squarely. The internal and external burrs should be removed.
4. Push tubing 5/8" into fitting.
5. Open the cold water supply and tank valve. If leaks persist, call Technical Support.

High TDS in Product Water

If high levels of TDS (Total Dissolved Solids) are detected in your product water as determined by the TDS Monitor or by the TDS test kit, the cartridge membrane may need to be replaced or the reject flow control may be clogged. See your dealer or plumber to check product water TDS.

Reduced production

Slow or no product water flow usually indicates a clogged cartridge.

Gradual return of taste and odor

Gradual return of unpleasant taste and odor over a period of time may indicate that your cartridges need to be replaced.

Sudden return of taste and odor

If shortly after complete servicing noticeable taste and odors return, contact Technical Support.

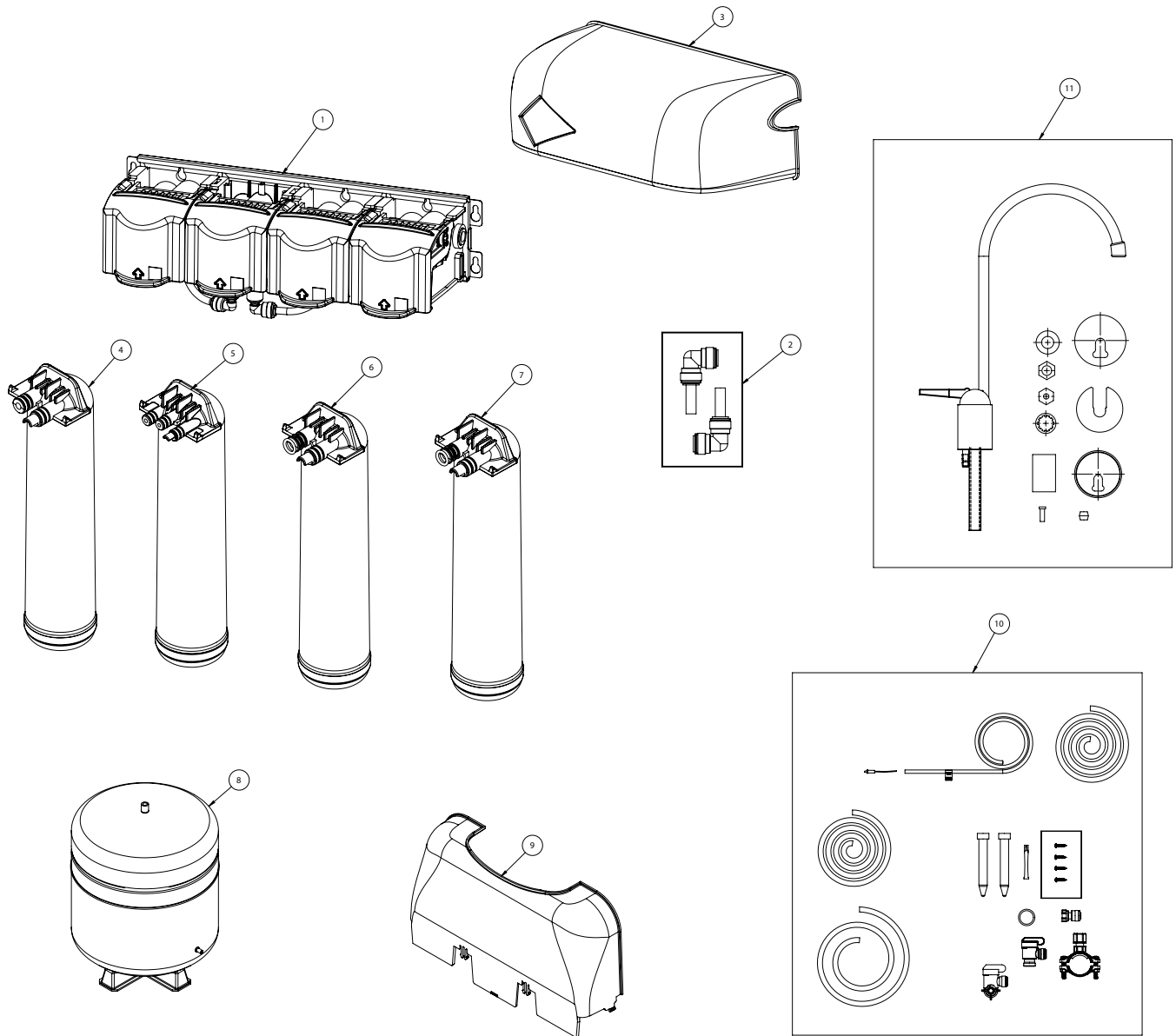
No water pressure from the drinking water faucet or low volume in storage tank

1. Close the cold water supply to system.
2. Lift storage tank to see if it is empty. If not, open the drinking water faucet to empty water from tank.

NOTE: It may be necessary to pump a small amount of air into the tank with a bicycle pump to remove all the water from the tank.

3. When tank is empty, use a pressure gauge to check tank pressure. An empty tank should contain 5 to 7 psi pressure. Increase or decrease the air pressure in the tank accordingly.
4. Open cold water supply. Let system run for 3 hours to fill tank, then check system performance. If performance has not improved, call Technical Support.

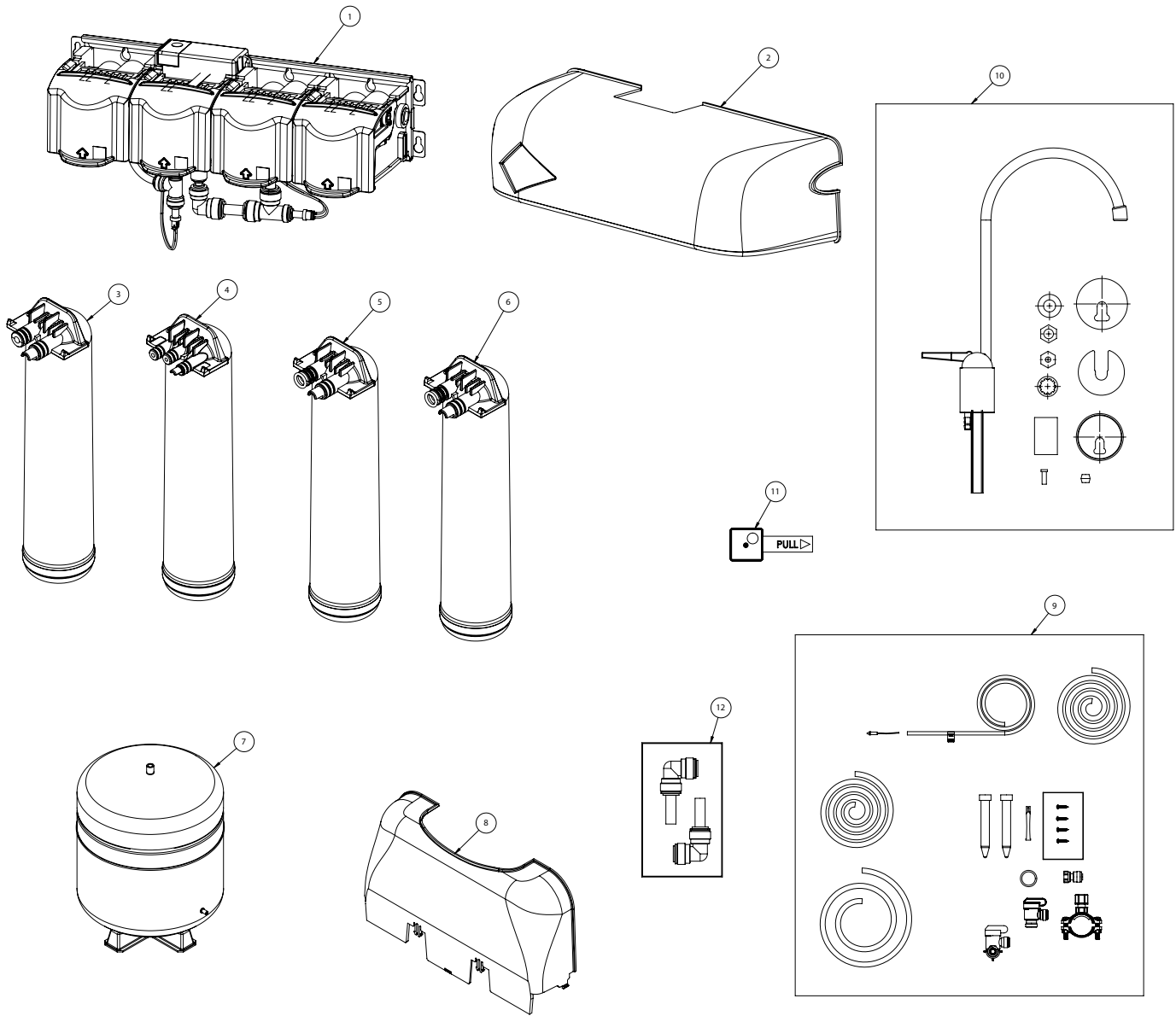
GRO-475B PARTS GUIDE



ITEM NO.	PART NO.	DESCRIPTION	QTY
1	4005009	RO HEAD, MODEL GRO-475B	1
2	4004588	KIT, TUBING/ELBOWS, RO	1
3	4004916	ASSY, 4 STAGE COVER, MAGNET	1
4	655123-96	FDF1-RC	1
5	655122-96	GRO75-RC	1
6	655120-96	F1B1-RC	1
7	655117-96	F1GC-RC	1
8	244877	TANK, RO (STL 4.4 GAL) 1/4" NPT	1
9	4003280	SCHROUD, ASO	1
10	4004662	KIT, RO SYSTEM 75 GPD	1
11	244820	FAUCET AIR-GAP	1

For replacement parts, contact your nearest Water Filter dealer or call **800.279.9404**

GRO-475M PARTS GUIDE



ITEM NO.	PART NO.	DESCRIPTION	QTY
1	4005012	RO HEAD, MODEL GRO-475M	1
2	4004920	ASSY, 4 STAGE COVER, MAGNET	1
3	655123-96	FDF1-RC	1
4	655122-96	GR075-RC	1
5	655120-96	F1B1-RC	1
6	655117-96	F1GC-RC	1
7	244877	TANK, RO (STL 4.4 GAL) 1/4" NPT	1
8	4003280	SCHROUD, ASO	1
9	4004662	KIT, RO SYSTEM 75 GPD	1
10	244820	FAUCET AIR-GAP	1
11	4003641	TIMER, FILTER CARTRIDGE	1
12	4004588	KIT, TUBING/ELBOWS, RO	1

PERFORMANCE DATA

IMPORTANT:

Read this performance data and compare the capabilities of this system with your actual water treatment needs.

It is recommended that before installing a water treatment system, you have your water supply tested to determine your actual water treatment needs.

This system has been tested according to NSF/ANSI 58 for the reduction of substances listed below. The concentration of the indicated substances in water entering the system was reduced to a concentration less than or equal to the permissible limit for water leaving the system as specified in NSF/ANSI 58.

The GRO-475B/GRO-475M shall only be used for arsenic reduction on chlorinated water supplies containing detectable residual free chlorine at the system inlet. Water systems using an in-line chlorinator should provide a one-minute chlorine contact time before the RO system.

WARNING: Do not use with water that is microbiologically unsafe or of unknown quality without adequate disinfection before or after the system. Systems certified for cyst reduction may be used on disinfected waters that may contain filterable cysts.

NOTE: Substances reduced are not necessarily in your water. Filter must be maintained according to manufacturer's instructions, including replacement of filter cartridges.

The tested efficiency rating for these systems is 22.05%. Efficiency rating means the percentage of the influent water to the system that is available to the user as reverse osmosis treated water under operating conditions that approximate typical daily usage.

The tested recovery rating is 38.65%. Recovery rating means the percentage of the influent water to the membrane portion of the system that is available to the user as reverse osmosis treated water when the system is operated without a storage tank or when the storage tank is bypassed.

The GRO-475B/GRO-475M has been tested for the treatment of water containing pentavalent arsenic [also known as As(V), As(+5), or arsenate] at concentrations of 0.050 mg/L or less. This system reduces pentavalent arsenic, but may not remove other forms of arsenic. This system is to be used on water supplies containing a detectable free chlorine residual or on water supplies that have been demonstrated to contain only pentavalent arsenic. Treatment with chloramine (combined chlorine) is not sufficient to ensure complete conversion of trivalent arsenic to pentavalent arsenic. Please see the Arsenic Facts section of the Performance Data Sheet for further information.

EPA # 082989-CHN-001

System Production Rate: 21.08 gpd (79.77 Lpd)

Recovery Rating: 41.05%

Efficiency Rating: 23.57%

TDS Rejection: 96.3%



System Tested and Certified by NSF International against NSF/ANSI Standard 42, 53, 58, and CSA B483.1 for the reduction of the claims specified on the Performance Data Sheet.

GRO-475B/GRO-475M SYSTEM INSTALLED WITH FDF1-RC, GR075-RC, F1B1-RC, F1GC-RC FILTER CARTRIDGES

Model GRO-475B / GRO-475M

Substance	Influent Challenge Concentration	Max Permissible Product Water Concentration	Reduction Requirements	Average Reduction
Standard 42				
Chlorine Taste and Order	2.0 mg/L ± 10%		≥50%	95.9%
Standard 53				
Cysts*	Minimum 50,000/L		99.95%	99.99%
Atrazine	0.009 mg/L ± 10%	0.003 mg/L		93.7%
Lead (pH 6.5)	0.15 mg/L ± 10%	0.010 mg/L		99.9%
Lead (pH 8.5)	0.15 mg/L ± 10%	0.010 mg/L		99.6%
Lindane	0.002 mg/L ± 10%	0.0002 mg/L		97.4%
Standard 58				
Total Dissolved Solids	750 ± 40 mg/L	187 mg/L		96.3%
Pentavalent Arsenic	0.050 mg/L ± 10%	0.010 mg/L		88.0%
Fluoride	8.0 mg/L ± 10%	1.5 mg/L		93.6%
Cysts*	Minimum 50,000/mL		99.95%	99.99%
Turbidity	11 mg/L ± 1 NTU	0.5 NTU		>99.1%
Lead	0.15 mg/L ± 10%	0.010 mg/L		98.6%
Selenium	0.10 mg/L ± 10%	0.05 mg/L		97.9%
Copper	3.0 mg/L ± 10%	1.3 mg/L		98.5%
Cadmium	0.03 mg/L ± 10%	0.005 mg/L		99.1%
Hexavalent Chromium	0.3 mg/L ± 10%	0.1 mg/L		96.4%
Trivalent Chromium	0.3 mg/L ± 10%	0.1 mg/L		98.2%
Radium 226/228	25 pCi/L ± 10%	5 pCi/L		80.0%
Barium	10.0 mg/L ± 10%	2.0 mg/L		96.3%

* NSF/ANSI Standard 53 and 58 certified to reduce cysts such as Cryptosporidium and Giardia by mechanical means.

Arsenic Fact Sheet

Arsenic (abbreviated As) is found naturally in some well water. Arsenic in water has no color, taste or odor. It must be measured by a lab test. Public water utilities must have their water tested for arsenic. You can get the results from your water utility. If you have your own well, you can have the water tested. The local health department or state environmental health agency can provide a list of certified labs.

There are two forms of arsenic: pentavalent arsenic [also called As(V), As(+5), and arsenate] and trivalent arsenic [also called As(III), As(+3) and arsenite]. In well water, arsenic may be pentavalent, trivalent, or a combination of both. Special sampling procedures are needed for a lab to determine what type and how much of each type of arsenic is in the water. Check with the labs in your area to see if they can provide this type of service.

Reverse osmosis (RO) water treatment systems do not remove trivalent arsenic from water very well. RO systems are very effective at removing pentavalent arsenic. A free chlorine residual will rapidly convert trivalent arsenic to pentavalent arsenic. Other water treatment chemicals such as ozone and potassium permanganate will also change trivalent arsenic to pentavalent arsenic. A combined chlorine residual (also called chloramine) may not convert all the trivalent arsenic. If you get your water from a public water utility, contact the utility to find out if free chlorine or combined chlorine is used in the water system.

The GRO-475B/GRO-475M system is designed to remove pentavalent arsenic. It will not convert trivalent arsenic to pentavalent arsenic. The system was tested in a lab. Under those conditions, the system reduced 0.050 mg/L (ppm) pentavalent arsenic to 0.010 mg/L (ppm) (the USEPA standard for drinking water) or less. The performance of the system may be different at your installation. Have the treated water tested for arsenic to check if the system is working properly.

The RO component of the GRO-475B/GRO-475M system must be replaced every 12-24 months to ensure the system will continue to remove pentavalent arsenic. The component identification and locations where you can purchase the component are listed in the installation/operation manual.

IMPORTANTE: Antes de instalar este sistema de ósmosis inversa, asegúrese de que el suministro de agua cumpla con las siguientes especificaciones de funcionamiento. No cumplir con las especificaciones puede reducir la efectividad del sistema y anulará la garantía.

ESPECIFICACIONES

Gama de presión:	40 a 100 psi (2.75–6.89 bares)
Gama de Temperatura:	40-100 °F (4.4-37.8 °C)
Sólidos disueltos totales:	<2000 ppm
Dureza máxima [†] :	<10 gpg (170 mg/L)
Sulfuro, hierro y manganeso [‡] :	<0.1 ppm
Cloro en el suministro de agua:	<2 ppm
Límites de pH:	3-11
Dimensiones totales:	14.57" ancho x 5.46" prof. x 12.54" alto (370mm x 139mm x 319mm)
Peso:	8.9 lbs (4.0 kg)
Dimensiones del tanque:	10.91" diám x 14.61" alto (277mm diám x 371mm alto)
Capacidad máxima del tanque:	3.2 gal (12.1 L)
Presión de aire del tanque vacío:	5-7 psi (0.34-0.48 bares)
Peso del tanque (lleno):	25.50 lb (11.6 kg)

[†]Si la dureza del agua sobrepasa los 10 gpg (171 mg/L), se acumulará sarro rápidamente en la membrana. La acumulación del sarro tapaná la membrana y hará que el sistema sea ineficaz. No se recomienda el uso de estos sistemas de ósmosis inversa en aguas con dureza superior a 10 gpg (171 mg/L).

[‡]Se permite un nivel máximo total de aproximadamente 0.01 ppm de sulfuro, hierro o manganeso. Consulte con su representante local para reducir estas sustancias en el agua.

PIEZAS INCLUIDAS:

- Sistema con cartuchos
- Tanque de almacenamiento
- Kit de tornillería de instalación
- Llave de agua potable sin plomo con espacio de aire

Herramientas y materiales requeridos

- Taladro de mano o eléctrico (se prefiere inalámbrico)
- 2 llaves inglesas
- Destornilladores planos y Phillips
- Lima
- Gafas de seguridad
- Brocas: 1/8", 3/16", 1/4", 3/8"
- Cortatubos o navaja multiuso
- Lápiz
- Toalla
- Cubeta
- Puntas de destornillador: 1/8", 3/16", 1/4", 3/8"

Si el fregadero no tiene orificio para una llave separada:

- Punzón
- Broca común o broca hueca cilíndrica de 3/4"
- Máscara de seguridad

NOTA: Es posible que no necesite todas las herramientas para la instalación. Lea los procedimientos de instalación antes de comenzar para determinar qué herramientas son necesarias.

ADVERTENCIA RELACIONADA CON LA PROPUESTA 65 DE CALIFORNIA

⚠ ADVERTENCIA: Este producto contiene productos químicos de los cuales el estado de California sabe causan cáncer o anomalías congénitas u otros daños reproductivos.

PRECAUCIONES

GENERAL

⚠️ ADVERTENCIA: No se debe utilizar con agua microbiológicamente insegura o de calidad desconocida sin la desinfección adecuada previa o posterior al paso por el sistema. Los sistemas certificados para la reducción de quistes* pueden usarse en aguas desinfectadas que pudieran contener quistes filtrables.

*Con certificado de las Normas 53 y 58 de NSF/ANSI para reducir los quistes como *Cryptosporidium* y *Giardia* por medios mecánicos

PRECAUCIÓN: Se debe proteger el sistema de ósmosis inversa contra el congelamiento para evitar la rotura de los componentes de ósmosis inversa y fugas de agua.

NOTA:

- El agua debe estar dentro de los límites requeridos para un funcionamiento satisfactorio. De lo contrario, la vida de la membrana se acortará y se anulará su garantía (ver Especificaciones en la página 19).
- Este sistema de ósmosis inversa no protege de bacterias causantes de enfermedades ni remueve bacterias inofensivas que están presentes en forma natural.
- Instale solo en la línea de agua fría.
- Asegúrese de que la instalación cumpla con todas las leyes y normas estatales y locales.
- Los cartuchos de repuesto y el elemento de ósmosis inversa incluidos en este sistema tienen una vida útil limitada. Los cambios en el sabor, olor o color del agua filtrada indican que el cartucho de filtro debe ser reemplazado.
- Luego de períodos prolongados sin uso, como por ejemplo durante las vacaciones, se recomienda enjuagar el sistema durante 5 minutos antes de ser usado.
- Un cartucho para agua potable puede contener restos de carbono (polvo negro muy fino). Después de la instalación, enjuague el sistema durante 5 minutos para eliminar los restos de carbón antes de utilizar el agua.
- Se recomienda dejar correr el agua durante al menos 20 segundos antes de utilizar el agua para beber o cocinar.
- Las sustancias contaminantes que este dispositivo de tratamiento de agua elimina o reduce no están necesariamente presentes en el agua que usted consume.

CÓMO FUNCIONA LA ÓSMOSIS INVERSA

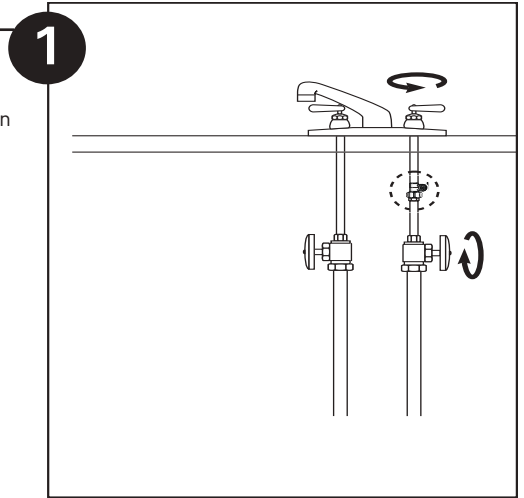
El sistema de ósmosis inversa (RO) GRO-475B/GRO-475M utiliza una membrana semipermeable para reducir las sales y los minerales disueltos, y así mejorar el gusto y olor de su agua. La membrana RO está hecha con una película micro delgada bobinada alrededor de un núcleo hueco. Las moléculas de agua pueden pasar a través de la membrana, pero se rechazan las sales y minerales disueltos.

El sistema de ósmosis inversa GRO-475B/GRO-475M cuenta con una acción de filtro de 4 etapas. Su suministro de agua se prefiltra para reducir la suciedad y el cloro que pueden contaminar la membrana. La membrana de ósmosis inversa separa esta agua prefiltrada en AGUA DE PRODUCTO y AGUA RECHAZADA o DE DESAGÜE. La presión del suministro de agua provoca que el agua de producto pase a través de la membrana y entre al tanque de almacenamiento. Los sólidos disueltos y otros contaminantes no pueden pasar a través de la membrana y son enviados al desagüe como agua rechazada. Cuando abre la llave de agua potable, el agua de producto se extrae del tanque de almacenamiento a través de un posfiltro de carbón activado, brindando así agua más limpia y con mejor sabor.

Por cada litro de agua producida, varios litros se desechan como agua rechazada. El tanque de almacenamiento puede almacenar hasta 2.1 galones (7.9 litros) por vez, para beber y cocinar. Cuando se usan según las Especificaciones de la página 19 del manual, las membranas de ósmosis inversa deberían durar de 12 a 24 meses.

INSTALACIÓN

- Lea todas las instrucciones y precauciones antes de instalar y usar su GRO-475B/ GRO-475M.
- Para una instalación normal bajo el fregadero en tuberías de agua fría de acero, latón o cobre de 3/8".
- Al seleccionar una ubicación de montaje del sistema y tanque, tenga en cuenta la longitud de la tubería necesaria para las conexiones entre la plomería existente y los componentes del sistema. Algunos sitios de instalación podrían necesitar más tubería que la que se suministra en el kit.
- Los diagramas numerados corresponden a los pasos numerados.



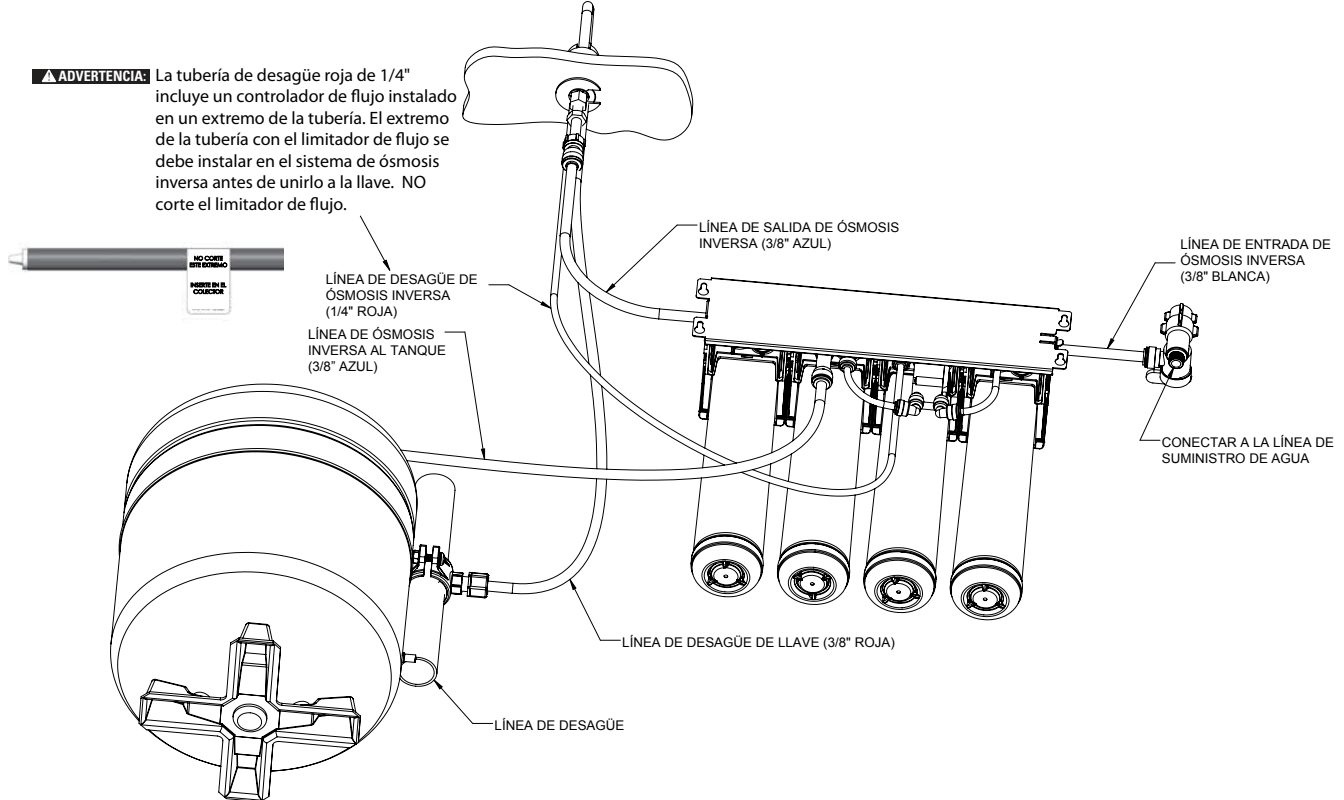
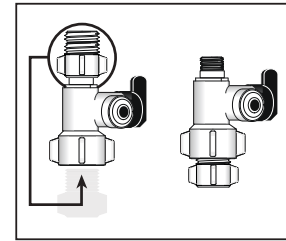
1. Cómo instalar el adaptador de suministro de agua

El adaptador de suministro es para roscas 1/2"-14 NPS o de compresión de 3/8" x 3/8". Si los códigos locales lo permiten, puede utilizarse para conectar el sistema a la tubería de agua fría. Si los códigos locales no permiten el uso del adaptador de suministro, sus proveedores locales pueden facilitarle conectores alternativos.

Instrucciones:

- Cierre la tubería de suministro de agua fría. Si la tubería de agua fría no tiene una válvula de cierre bajo el fregadero, deberá instalar una.
- Abra la llave de agua fría y permita que se desague toda el agua de la tubería.
- Desconecte la válvula de suministro de agua fría del tubo vertical.
- Asegúrese de que la junta selladora esté completamente asentada en la rosca hembra de la válvula del adaptador de alimentación.
- Instale la válvula del adaptador de alimentación sobre la válvula de suministro en la forma deseada. La válvula del adaptador de alimentación se puede instalar en la parte inferior de la manguera de suministro o en la parte superior de la tubería de agua fría. Apriete a mano exclusivamente.
- Conecte el tubo vertical a la válvula del adaptador de alimentación.

NOTA: Tenga cuidado de no trasroscar.



INSTALACIÓN CONTINUACIÓN...

2. Selección de la ubicación de la llave de agua

Se debe prever la funcionalidad, la conveniencia y el aspecto de la llave de agua potable antes de su colocación. Se necesita una superficie plana adecuada de modo que la base de la llave de agua se asiente firmemente. La llave calza a través de un orificio de 3/4". La mayoría de los fregaderos tienen orificios de 1-3/8" o 1-1/2" de diámetro previamente perforados que se pueden utilizar para instalar la llave de agua. Si no se pueden usar estos orificios o están en una ubicación inconveniente, será necesario perforar un orificio de 3/4" de diámetro en el fregadero para acomodar la llave de agua.

PRECAUCIÓN: Este procedimiento puede producir polvos que pueden causar una irritación grave si se aspiran o entran en contacto con los ojos. Se recomienda llevar anteojos de seguridad y una máscara de seguridad durante este procedimiento.

PRECAUCIÓN: NO TRATE DE PERFORAR UN FREGADERO HECHO TOTALMENTE DE PORCELANA. Si tiene un fregadero hecho totalmente de porcelana, monte la llave de agua en el orificio previamente perforado para el rociador o perforo un orificio en la cubierta adyacente al fregadero.

PRECAUCIÓN: Cuando perforo a través de la cubierta asegúrese de que no haya cables ni tuberías debajo del área donde se hará la perforación. Asegúrese de que haya un amplio espacio para hacer las conexiones adecuadas en la parte inferior de la llave de agua.

PRECAUCIÓN: No perforo a través de una cubierta de un espesor mayor a 1".

PRECAUCIÓN: No trate de perforar a través de una cubierta de azulejo, mármol, granito o materiales similares. Consulte con un plomero o con el fabricante de la cubierta para obtener consejos o asistencia.

Las siguientes instrucciones se aplican ÚNICAMENTE a los fregaderos de acero inoxidable.

- (A) Cubra el fondo del fregadero con papel de periódico para impedir que caigan al drenaje virutas, piezas o herramientas.
- (B) Coloque cinta de enmascarar sobre el área que se va a perforar para ayudar a evitar rayones si la broca del taladro se resbala.
- (C) Marque el punto con un punzón de marcar. Use una broca de 1/4" para hacer un orificio de guía a través del fregadero.
- (D) Use un sacabocados de 1 1/4" para ensanchar el orificio. Alise los bordes ásperos con una lima.

3. Colocación de la llave de agua

⚠ ADVERTENCIA: Debido a la variación en los sitios de instalación, se recomienda especialmente que instale la tubería de desagüe roja de 1/4" en el colector del sistema de ósmosis inversa antes de montar la llave por completo. Anote la longitud de tubería de desagüe roja de 1/4" necesaria para llegar del colector del sistema de ósmosis inversa hasta la conexión de la llave y planear en consecuencia en relación con la ubicación de montaje de los componentes del sistema. Además, la tubería de desagüe roja de 1/4" incluye un controlador de flujo instalado en un extremo de la tubería. El extremo de la tubería con el limitador de flujo se debe instalar de manera segura en el colector del sistema de ósmosis inversa antes de unirlo a la llave. NO corte el limitador de flujo.

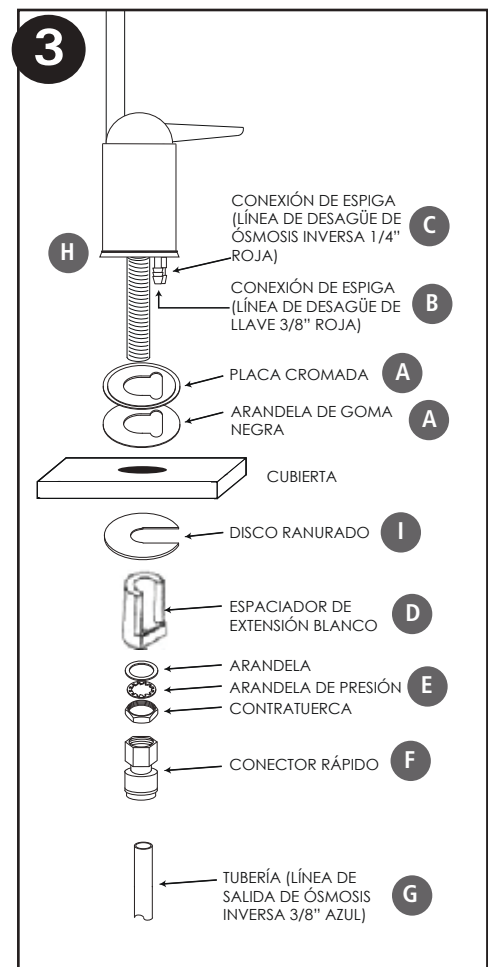
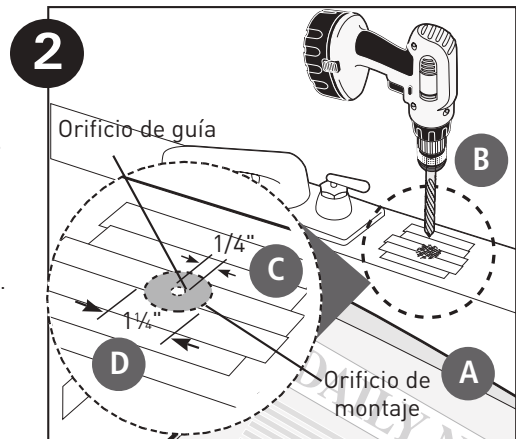
NOTA: Es posible que no se necesiten para la instalación todas las piezas proporcionadas con la llave.

- (A) Enrosque ambas tuberías de desagüe a través de los orificios en la placa y la arandela para deslizar la placa cromada y la arandela de caucho negro sobre la llave.
- (B) Una la tubería de desagüe de 3/8" roja de diámetro grande a la conexión de espiga en la base de la llave. Esta tubería debe ser lo suficientemente larga para alcanzar la abrazadera de drenaje del Paso 4.
- (C) Ubique la tubería de desagüe de 1/4" roja de diámetro pequeño conectada al puerto de desagüe del elemento GRO. Tienda la tubería hasta la llave y corte el exceso de tubería.
- (D) Deslice el espaciador de extensión blanco sobre la sección roscada larga de la llave. El extremo abierto de la extensión deberá estar en contacto con la base de la llave.
- (E) Atornille la arandela, arandela de seguridad y contratuerca en el extremo de las roscas de la llave.
- (F) Atornille el conector rápido en el extremo de las roscas de la llave.
- (G) Moje el extremo del tubo azul de 3/8". Empuje a la parte inferior del conector rápido. Jale suavemente para asegurarse de que la conexión esté completa.

NOTA: Para retirar el tubo, empuje el collarín de la conexión y jale el tubo.

(H) Sosteniendo la llave, pase los tres tubos a través del orificio en el fregadero. Ponga la empuñadura de la llave en la ubicación deseada.

(I) Centre la llave y deslice el disco ranurado entre el espaciador blanco y el fondo de la cubierta o el fregadero. Apriete la contratuerca con una llave hasta que quede apretada.



4. Instalación de la abrazadera de drenaje

NOTA: Si tiene un fregadero de una sola tina con un triturador, llame a Asistencia Técnica para obtener más opciones.

NOTA: Antes de instalar la abrazadera de drenaje, revise si los tubos de desagüe bajo el fregadero tienen corrosión. Las tuberías con corrosión deben ser reemplazadas antes de continuar con la instalación.

- (A) Coloque la abrazadera de desagüe en una sección vertical de la tubería de desagüe, alrededor de 6" sobre el sifón. Asegúrese de que la abertura de la abrazadera de desagüe esté viendo hacia la llave de agua potable.
- (B) Con el orificio del acoplamiento de la abrazadera de desagüe como guía, perforo un orificio de 1/4" a un lado de la tubería de desagüe.
- (C) Quite la abrazadera de desagüe de la tubería de desagüe y ensanche el orificio con una broca de 3/8". Utilice una lima para quitar los bordes ásperos del orificio perforado.
- (D) Asegúrese de que la junta de goma negra esté adherida al interior de la abrazadera de desagüe y coloque el conjunto de la abrazadera de desagüe sobre el orificio perforado. Mire a través del orificio y posicione la abrazadera para que el centro del orificio de la abrazadera sea apenas más alto (alrededor de 1/16") que el centro del orificio perforado. Apriete la abrazadera firmemente.
- (E) Atornille la tuerca de compresión plástica a la abrazadera de desagüe hasta que no pueda apretar más con la mano.

5. Conexión de la llave de agua al desagüe

PRECAUCIÓN: Este es un desagüe de gravedad. Cualquier bucle, doblez o curvas peligrosas se debe eliminar antes de continuar. No crear una línea recta al desagüe puede provocar que el agua rechazada se fugue a través del espacio de aire en la llave de agua hacia la cubierta y debajo de la llave de agua.

- (A) Alinee la tubería roja de 3/8" de la llave de agua con la tuerca de compresión en la abrazadera de desagüe. Cree un pasaje lo más recto y liso posible con la tubería. No retuerza la tubería. Corte la tubería en ángulo recto y retire las rebabas internas y externas. Inserte el inserto del tubo interior (cono blanco) en el extremo de la tubería roja de 3/8". Retire la tuerca de compresión de la abrazadera de desagüe. Ponga la tuerca de compresión en el extremo de la tubería roja de 3/8".
- (B) Inserte la tubería dentro del puerto de desagüe hasta que se detenga. Apriete la tuerca de compresión con los dedos, luego apriete 1 a 2 vueltas con una llave para asegurar la tubería al puerto de desagüe.

6. Cómo montar el sistema

⚠ ADVERTENCIA: Al seleccionar una ubicación de montaje del sistema y tanque, tenga en cuenta la longitud de la tubería necesaria para la conexión entre los componentes. Algunos sitios de instalación podrían necesitar más tubería que la que se suministra en el kit.

- (A) Seleccione una ubicación bajo el fregadero, u otra área adecuada en la que se instalará el sistema.

NOTA: Se puede usar el cartón del sistema para determinar la huella de operación que se requiere para la instalación del sistema y los cartuchos de repuesto. (Figura 6)

- (B) Monte el sistema verticalmente. Asegúrese de que la montura esté al ras. Retire los cartuchos de filtro para facilitar el acceso a los orificios del soporte de montaje. Ponga una marca con lápiz en las ranuras superiores de los orificios de los soportes de montaje (Figura 4b). Opción de montaje alternativa: Si está montando el sistema cerca del piso, ponga las marcas con lápiz encima de cada uno de los orificios de montaje en el soporte para asegurar que haya suficiente espacio debajo del cartucho y el piso para el reemplazo del cartucho (Figura 4c). Use la broca de 3/32" para crear orificios de guía para el montaje.

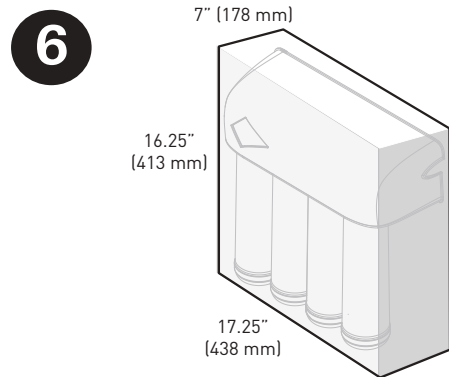
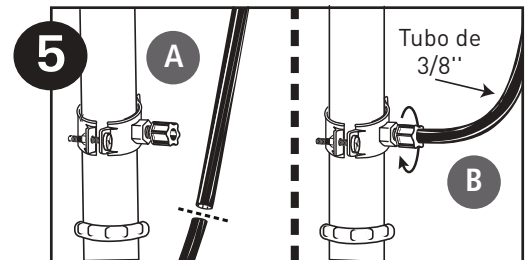
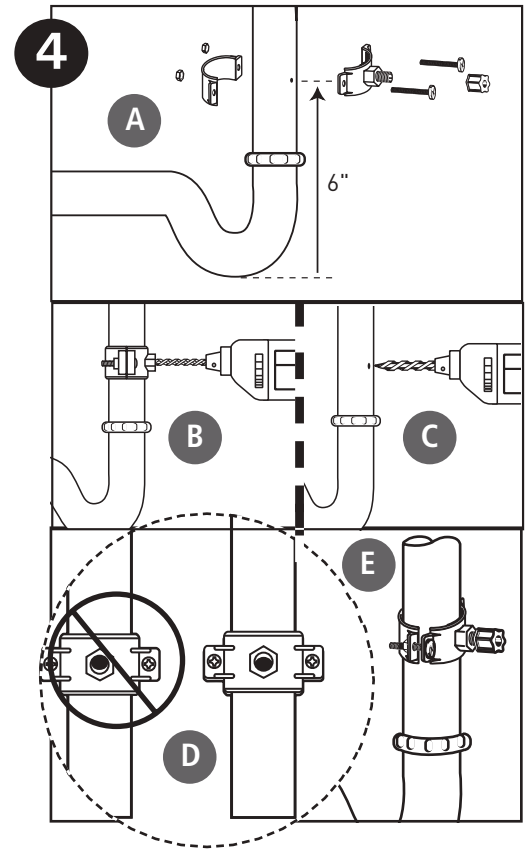
⚠ ADVERTENCIA: El sistema se deberá montar en una superficie sólida y firme que pueda apoyar el peso del sistema.

7. Conexión de la llave de agua al sistema

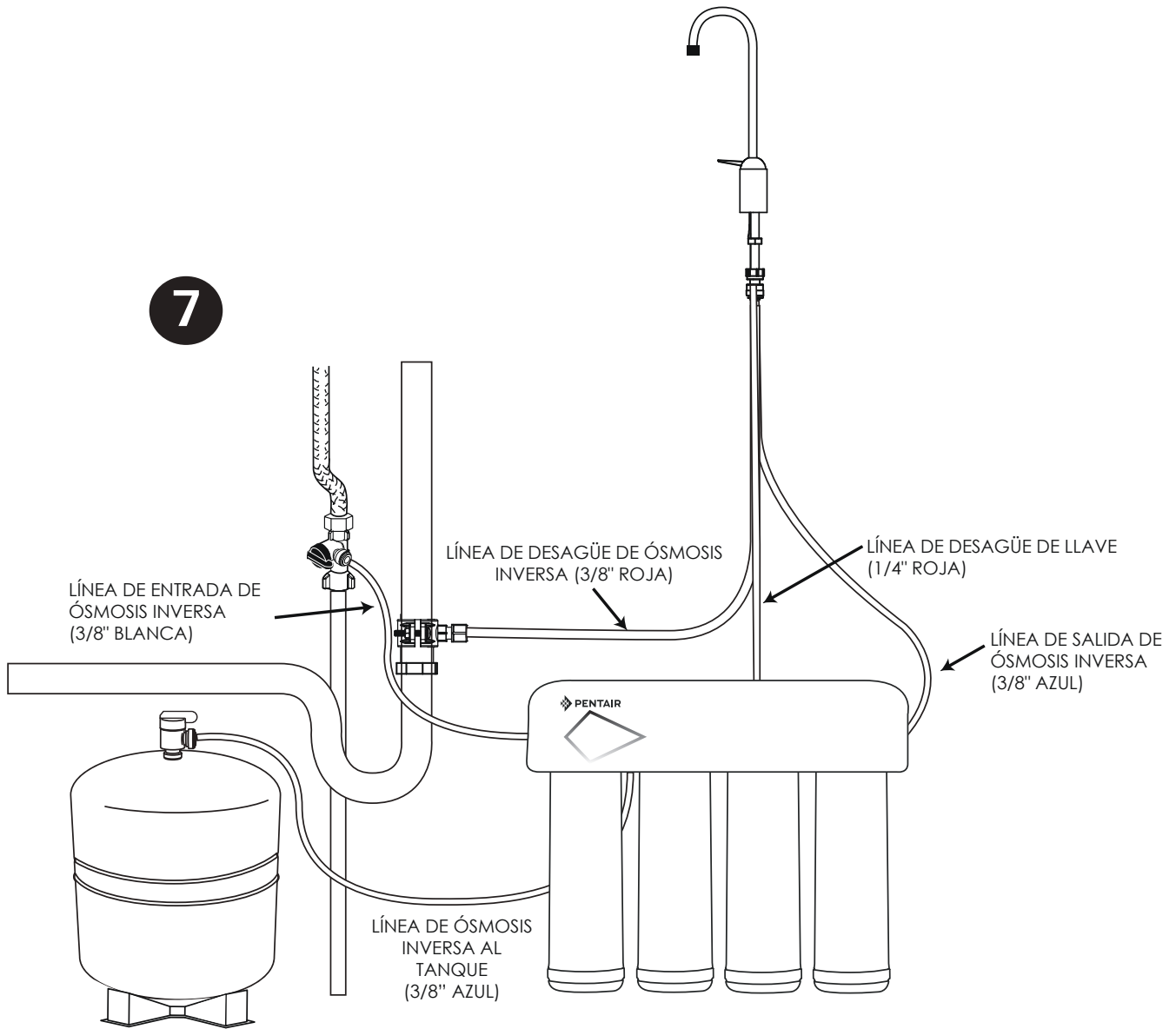
- (A) Determine la longitud de la tubería azul de plástico que se necesita para conectar al lado de la salida [derecho] del filtro desde la llave. Asegúrese de dejar suficiente tubería para evitar retorcimientos y corte el tubo en ángulo recto. Use un marcador para marcar un extremo de la tubería a 5/8" del extremo. Moje el extremo del tubo de 3/8" y empújelo a la conexión de salida (derecha) del sistema hasta la marca.

PRECAUCIÓN: No doble ni engarce el tubo que está insertando.

- (B) Jale levemente del tubo para corroborar que esté correctamente conectado.



7



INSTALACIÓN CONTINUACIÓN . . .

8. Conexión del tanque de almacenamiento al sistema

PRECAUCIÓN: Cuando el tanque está lleno, pesa aproximadamente 19.50 libras (8.8 kg.). Coloque un soporte amplio debajo del tanque.

(A) Para prevenir las fugas, aplique 3 vueltas o más de cinta de teflón a las roscas del tanque. Enrosque la válvula del tanque sobre la parte superior de la abertura del tanque. Gire el tanque de modo que la manivela quede alineada con la tubería.

PRECAUCIÓN: La conexión tanque/válvula goteará si no se sella correctamente. Normalmente, la cinta de teflón sellará la conexión roscada.

(B) Ubique la tubería azul de 3/8". Haga una marca en el tubo de 5/8" desde un extremo. Humedezca un extremo marcado de la tubería con agua e insértela con un movimiento giratorio dentro del puerto de la válvula del tanque hasta que la marca de 5/8" quede alineada con el cople de conexión rápida. Luego coloque el tanque cerca de la zona de instalación del sistema.

(C) Corte la tubería a la distancia correcta. Instale el extremo libre de la tubería dentro del cople de conexión rápida blanco en el sistema. Asegúrese de que la tubería no se doble. Retire la tubería azul restante para usarla para conectar el sistema al adaptador de suministro de agua. Algunos sitios de instalación podrían necesitar tubería adicional que no se incluye en el kit.

(D) Coloque el sistema completo sobre los tornillos de montaje en la pared y deslícelo hacia abajo.

PRECAUCIÓN: Asegúrese de que el sistema esté conectado firmemente a la pared para prevenir que se caiga y posiblemente se dañe.

NOTA: Tenga cuidado de no doblar ni pinchar la tubería detrás del sistema mientras coloca los tornillos de montaje.

9. Cómo conectar el sistema al adaptador de suministro de agua

(A) Ubique el tramo restante de la tubería azul de plástico de 3/8".

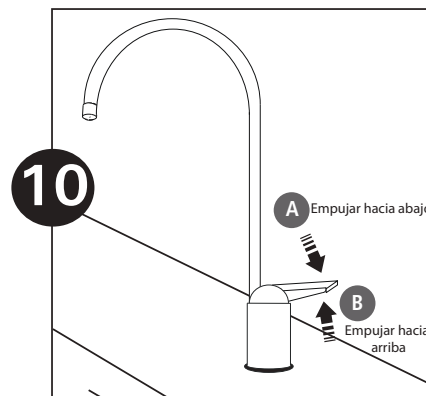
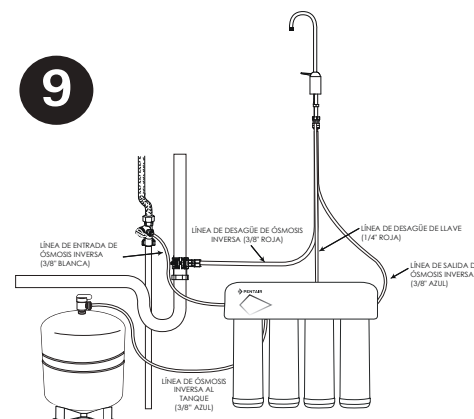
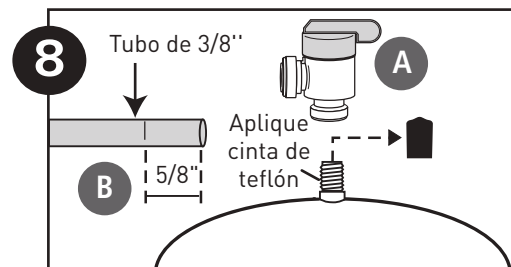
(B) Haga una marca en el tubo a 5/8" del extremo. Humedezca el extremo de la tubería con agua e inserte con un movimiento giratorio dentro del cople de conexión rápida blanco en el lado izquierdo del sistema. Dependiendo de la instalación, puede ser necesario retirar el sistema de la superficie de montaje para tener acceso al lado izquierdo del sistema.

(C) Corte el tubo a una longitud que permita la conexión con el adaptador de suministro de agua. Asegúrese de que la tubería no se doble. Haga una marca en el tubo a 5/8" del extremo. Humedezca el extremo de la tubería con agua e inserte con un movimiento giratorio dentro del cople de conexión rápida en el adaptador de suministro de agua.

10. Funcionamiento de la llave de agua

(A) Para tener un flujo de agua controlado, empuje la empuñadura hacia abajo.

(B) Para tener un flujo de agua constante, levante la empuñadura de la llave para fijarla en la posición abierta.



11. Inicio del sistema

NOTA: La membrana de ósmosis inversa está tratada con un agente sanitizante de grado alimenticio que puede causar un gusto indeseable. Aunque no es dañino, debe ser expulsado del sistema.

NOTA: El filtro pospulidor puede contener partículas finas de carbón negras. Estos finos son inofensivos, pero pueden hacer que el agua luzca gris. Los finos de carbón se eliminan del sistema con el primer tanque lleno de agua.

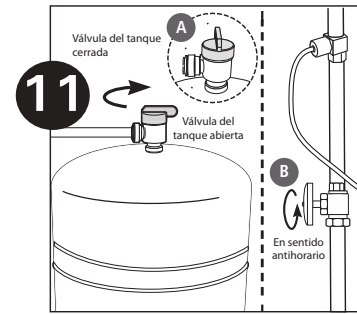
NOTA: El sistema de ósmosis inversa no produce altos volúmenes de agua a pedido como lo hace un filtro común. El agua se produce a un ritmo lento, gota por gota. El sistema necesita alrededor de 2 a 4 horas para llenar el tanque de almacenamiento. A medida que se saca agua del tanque, el sistema comienza el ciclo automáticamente para reemplazar el agua y luego frena la producción de agua cuando el tanque está lleno.

PRECAUCIÓN: Revise visualmente todo el sistema para encontrar fugas. Si existe una fuga, consulte la sección Resolución de problemas en la página 30.

- (A) Cierre la válvula de la parte superior del tanque de almacenamiento.
- (B) Abra el suministro de agua fría ligeramente, y asegúrese de que la válvula del adaptador de suministro esté abierta.
- (C) Levante la empuñadura de la llave de agua para trabarla en la posición abierta y deje gotear durante 30 minutos.
- (D) Abra el suministro de agua fría completamente hasta que se detenga. Deje gotear el agua de la llave de agua durante otras 12 horas. Luego cierre la llave de agua y abra la válvula del tanque de almacenamiento. La válvula del tanque está abierta cuando las líneas de la manivela se alinean con la conexión de la tubería.
- (E) Espere 3 horas para que el tanque se llene. Siga revisando la instalación periódicamente para encontrar fugas. Una vez que el tanque de almacenamiento está lleno, abra la llave de agua para dejar correr el agua a través del cartucho postfiltro. Espere de 4 a 5 minutos para que el tanque se vacíe completamente. Cierre la llave de agua y deje que se llene el tanque.
- (F) Repita el paso E cuatro veces.

NOTA: En un primer momento, el agua puede parecer turbia. Esto es debido al aire atrapado en el filtro pospulidor. No es dañino y desaparecerá en cuestión de minutos. Puede tomar hasta una semana luego de instalar el filtro pospulidor nuevo para que el aire atrapado se disipe.

El sistema está listo para funcionar. Ahora puede disfrutar agua de calidad del sistema de ósmosis inversa.



PRUEBA DEL SISTEMA DE ÓSMOSIS INVERSA

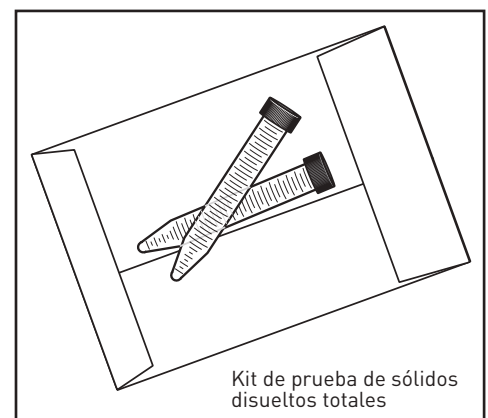
(SOLO SISTEMAS QUE NO ESTÁN MONITOREADOS)

Prueba de sólidos disueltos totales (TDS) para sistema de ósmosis inversa modelo GRO-475B

NOTA: Se recomienda enfáticamente que usted (el consumidor) haga analizar el agua cada 6 meses para verificar que el sistema esté funcionando satisfactoriamente.

INSTRUCCIONES DE MUESTREO:

Las instrucciones de muestreo se incluyen en el kit de prueba de sólidos disueltos totales (TDS).



Kit de prueba de sólidos disueltos totales

INSTALACIÓN OPCIONAL

Cómo conectar su sistema de ósmosis inversa al dispensador de hielo/agua del refrigerador

PRECAUCIÓN: Si va a conectar esta unidad al dispensador de hielo del refrigerador con la instalación inicial de ósmosis inversa, espere a que el filtro pospulidor se descargue de acuerdo al Paso 11.

PRECAUCIÓN: Utilice mangueras y conexiones de plástico. No utilice mangueras de cobre ni acoplamiento de bronce.

NOTA: Para un rendimiento óptimo, se recomienda que la distancia entre el sistema de ósmosis inversa y el dispensador de hielo/agua del refrigerador no sea mayor a 10 pies (3 metros). En distancias mayores de 10 pies, es posible que la presión de agua del sistema no sea adecuada para proporcionar agua al refrigerador.

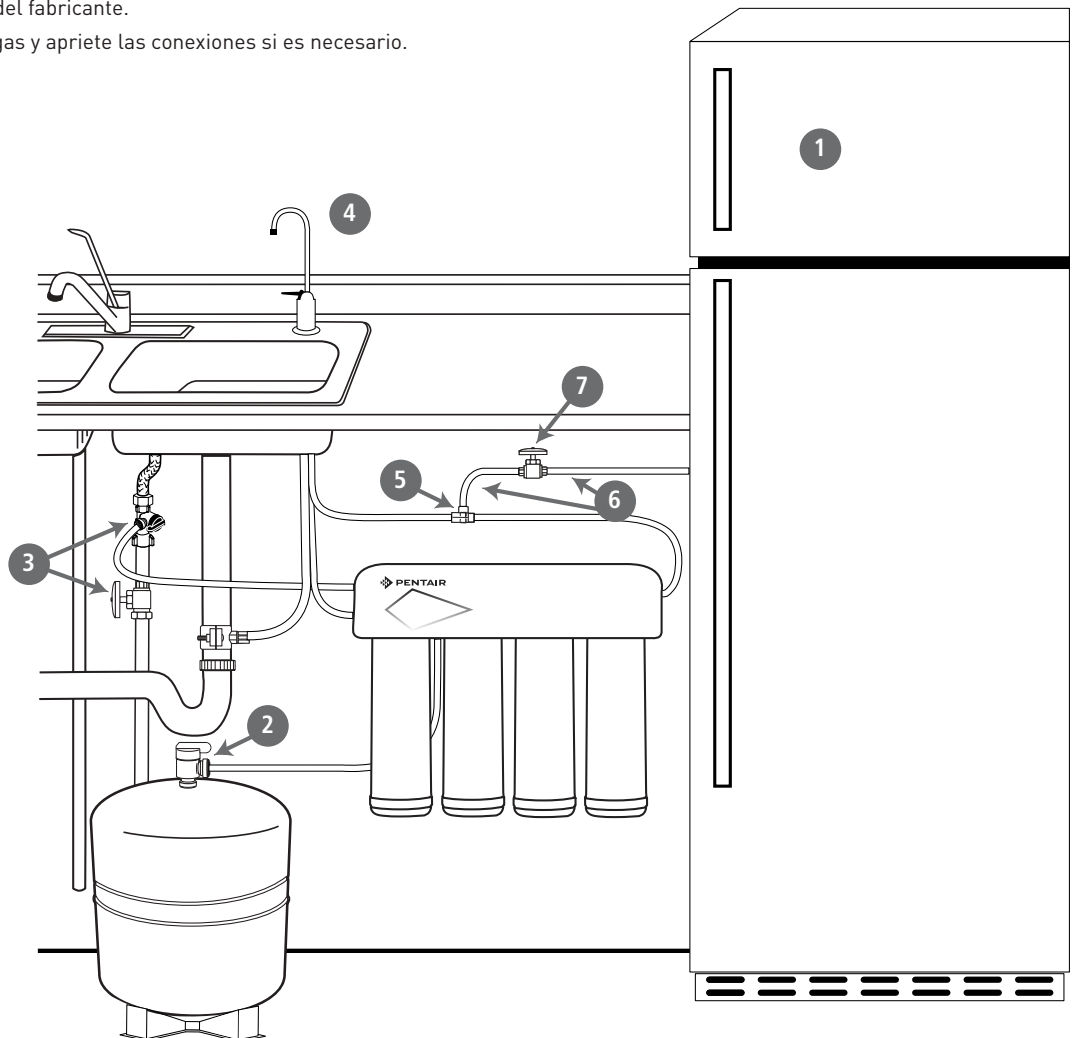
MATERIALES NECESARIOS (disponibles en su ferretería local):

- "T" de compresión o de conexión rápida de 3/8" x 3/8" x 3/8" (0.952 mm x 0.952 mm x 0.952 mm)
- 10 pies (3 m) de tubería de polietileno de 3/8" (0.952 mm)
- Válvula de cierre

1. Cierre el suministro de agua y el dispensador de hielo del refrigerador (consulte las pautas del fabricante).
2. Cierre la válvula del tanque (sobre el tanque de almacenamiento).
3. Cierre el paso de agua al sistema de ósmosis inversa en el suministro de agua fría, o en el adaptador de suministro de agua de entrada.
4. Abra la llave de agua potable para aliviar la presión.
5. Ubique la tubería (permeable) que conduce a la llave de agua potable. Corte e inserte la "T" de compresión o conexión rápida de 3/8" x 3/8" x 3/8" dentro de la tubería permeable. Consulte las guías del fabricante antes de instalar el adaptador de suministro.

NOTA: Cuando corte la tubería permeable, puede experimentar un poco de goteo.

6. Use un tramo de 3/8" de tubería de polietileno para conectar la línea del dispensador de hielo con el puerto libre de la "T" de compresión.
7. La válvula de cierre debe instalarse lo más cerca posible de este puerto de la "T". La válvula de cierre se deberá instalar en la posición CERRADA. Consulte las pautas del fabricante antes de instalar la válvula de cierre.
8. Abra el suministro de agua fría completamente.
9. Abra la válvula del tanque.
10. Cierre la llave de agua potable.
11. Abra el paso de agua al sistema RO desde el suministro de agua fría.
12. Encienda el dispensador de hielo y abra la llave de paso. Consulte las instrucciones del fabricante.
13. Compruebe que no haya fugas y apriete las conexiones si es necesario.



Reemplazo del cartucho de filtro

NOTA: La vida útil de los cartuchos de filtro depende del volumen de agua usado y la calidad del agua de alimentación. Se recomienda que los cartuchos de filtro se reemplacen cada 6 a 12 meses, o cuando haya un cambio apreciable en sabor, olor o flujo del agua filtrada.

Asegúrese de comprar el cartucho correcto para el sistema.

El modelo GRO-475B/GRO-475M usa cartuchos de repuesto FDF1-RC, GRO75-RC, F1B1-RC y F1GC-RC

3. Reemplazo del cartucho

- A. Desfogue la presión al cortar el suministro de agua del sistema y abrir una llave hasta que cese el flujo de agua (espere de 5 a 10 minutos después de que se detenga el agua para desfogar la presión en la membrana de ósmosis inversa). Ponga una cubeta o una toalla bajo el sistema para captar el goteo de agua que pudiera haber.
- B. Levante la barra de bloqueo hasta que el cartucho de filtro se separe del conjunto de la cabeza del filtro (Figura A).
- C. Jale el cartucho del conjunto de la cabeza del filtro y asegúrese de que la barra de bloqueo continúe en la posición completamente hacia arriba (Figura B).
- D. Alinee los postes en el cartucho de filtro con los puertos en el conjunto de la cabeza del filtro. Deslice el filtro de cartucho al interior del conjunto de la cabeza del filtro y engarce con la barra de bloqueo haciendo que caiga hacia adelante y hacia abajo (Figura C).
- E. Jale la barra de bloqueo hacia abajo hasta que se inserte en su lugar (Figura D).

Resolución de problemas

Fugas entre el conjunto de la cabeza del filtro y el cartucho de filtro

1. Desfogue la presión al girar el suministro de agua al sistema y abrir la llave hasta que cese el flujo de agua. Ponga una cubeta o una toalla bajo el sistema para captar el goteo de agua que pudiera haber.
2. Retire el cartucho e inspeccione las juntas tóricas para asegurarse de que estén asentadas y limpias.
3. Instale el cartucho de filtro. Ponga el sistema en funcionamiento y revise si hay fugas. Si las fugas persisten, cierre el suministro de agua y comuníquese con Asistencia Técnica al 1-800-279-9404.

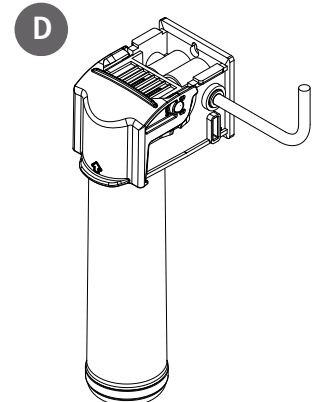
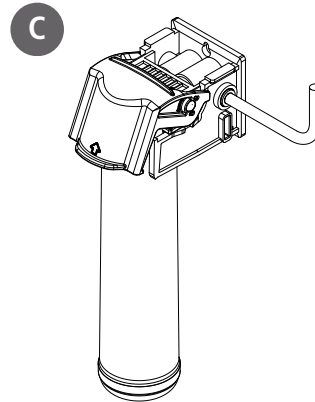
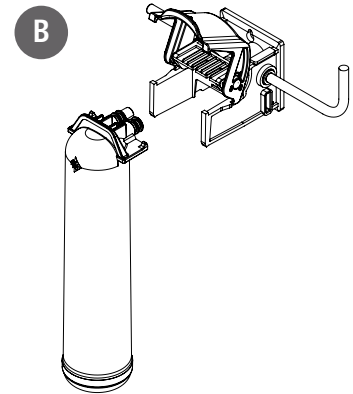
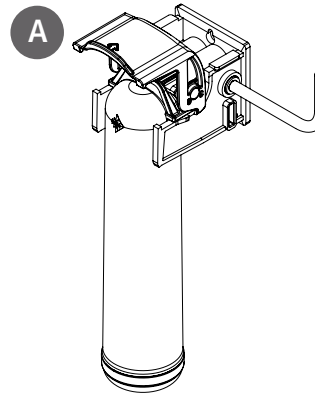
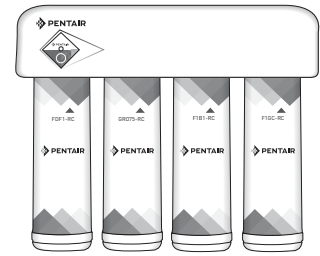
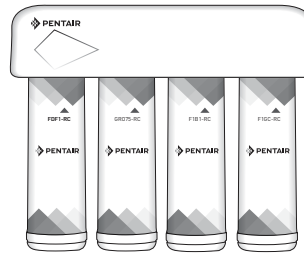
Fugas de conexiones de tubería

1. Desfogue la presión al girar el suministro de agua al sistema y abrir la llave hasta que cese el flujo de agua. Ponga una cubeta o una toalla bajo el sistema para captar el goteo de agua que pudiera haber.
2. Oprima la presilla en el sistema o las conexiones de tubería del adaptador de suministro de entrada y jale la tubería de la conexión. Inspeccione la superficie de la tubería en busca de raspones o suciedad. Limpie o corte la tubería para tener acceso a una superficie limpia.
3. Moje el extremo de la tubería de entrada y presiónelo hacia el interior de la conexión de entrada del sistema. Asegúrese de que la tubería se haya oprimido por completo más allá de las juntas tóricas de la conexión. Ponga el sistema en funcionamiento y revise si hay fugas. Si las fugas persisten, cierre el suministro de agua y comuníquese con Asistencia Técnica al 1-800-279-9404.

Secuencia de cartucho

GRO-475B

GRO-475M



Procedimiento de temporizador de cartucho

TEMPORIZADOR DE CARTUCHO DE FILTRO

(SOLO SISTEMAS MONITOREADOS)

El temporizador de cartucho de filtro se puede instalar en la cubierta decorativa del sistema al retirar el respaldo adhesivo en la placa metálica incluida con el temporizador de cartucho. El temporizador también se puede fijar a una superficie magnética metálica usando el imán que está instalado de fábrica en el temporizador de cartucho.

INSTALACIÓN Y ACTIVACIÓN

Una vez que se seleccionó la ubicación de la instalación, active el temporizador al tirar de la pestaña de plástico que está en el lado del temporizador. Oprima y suelte la tecla para verificar que la batería está funcionando. La luz destellará en verde tres veces. (Figura A)

NOTA: El temporizador funciona con un calendario de doce meses. El temporizador usa una batería 2023 tipo moneda.

El temporizador del cartucho de filtro está funcionando

Funcionamiento

1. El temporizador comenzará a destellar en rojo una vez cada tres minutos después de 11 meses, y a destellar en rojo tres veces cada tres minutos después de 12 meses. (Figura B)

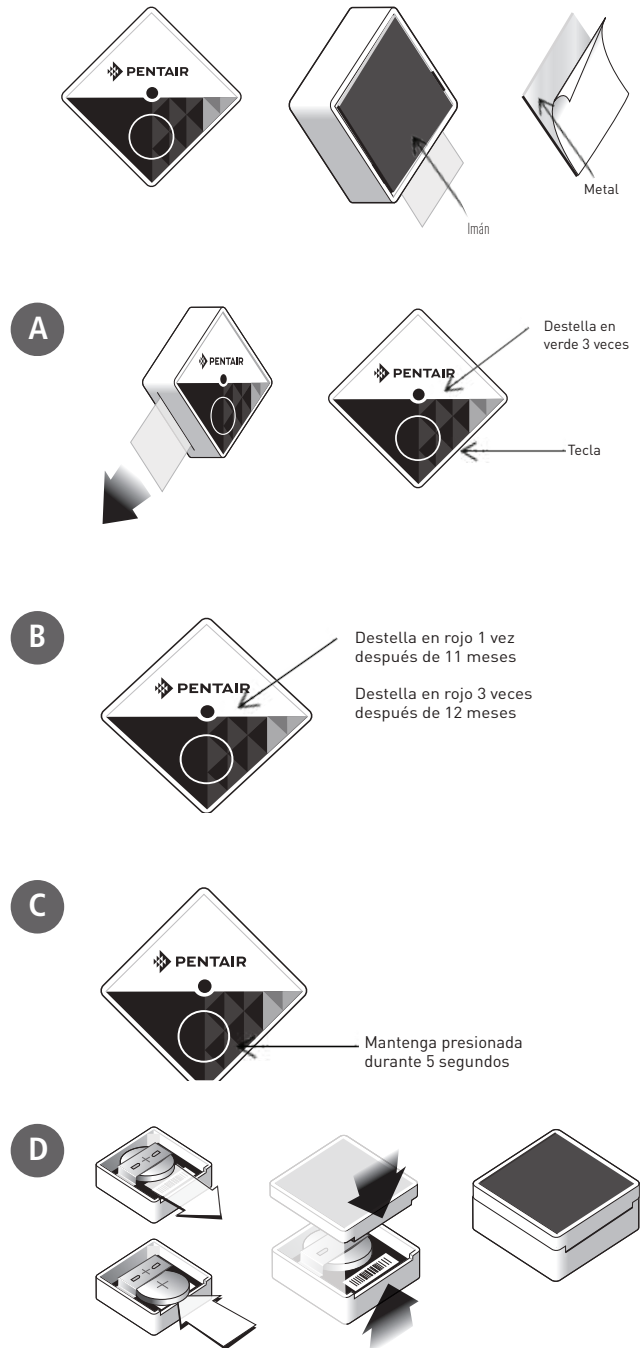
NOTE: El estado del temporizador de la vida de cartucho también se puede ver inmediatamente al oprimir y liberar la tecla.

Restablecer el temporizador

1. Para restablecer el temporizador después del reemplazo del cartucho de filtro, oprima la tecla y manténgala oprimida durante 5 segundos. El temporizador se restablece ahora a 12 meses. (Figura C).

Reemplazo de la batería

1. Reemplace la batería cada 12 meses. Para reemplazar la batería, ubique la ranura en el costado del cuerpo del temporizador y retire con cuidado la parte frontal del temporizador. Ahora se tiene acceso a la batería. (Figura D)
2. Deslice la nueva batería bajo el soporte de retención de batería con el lado positivo (+) de la batería viendo hacia arriba, hacia el soporte de retención de la batería. Alinee la pestaña del temporizador con la ranura en la parte frontal del temporizador y oprima las mitades del temporizador una contra otra. El reemplazo de la batería no restablecerá el temporizador de 12 meses. Si se necesita restablecer, mantenga presionada la tecla durante 5 segundos.



MONITOR DE TDS

(SOLO SISTEMAS MONITOREADOS)

El GRO-475M está equipado con un monitor de TDS que comprueba los sólidos disueltos totales (TDS) que el sistema está reduciendo del agua. El Monitor de TDS permite que el usuario pruebe la calidad del agua que produce el sistema. Pruebe la unidad si ocurre un cambio notable en el sabor del agua potable.

El Monitor de TDS mostrará los siguientes colores al oprimir el botón de prueba:

Luz roja (izquierda): Se requiere una prueba de la calidad del agua; proceda con los siguientes pasos

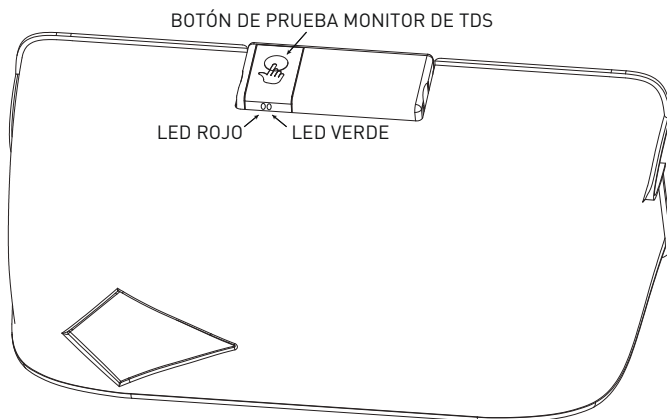
1. Extraiga 1 galón de agua de la unidad para purgar el agua estancada de los sensores del monitor de TDS.
2. Oprima el botón para volver a probar. Si la luz sigue siendo roja, abra la llave y deje que el agua corra hasta que el tanque de almacenamiento esté vacío. El caudal de la llave decrecerá en forma notable lo que indica que el tanque de almacenamiento está vacío.
3. Cierre la llave y deje que el sistema llene el tanque de almacenamiento, de 2 a 3 horas
4. Oprima el botón para probar. Si la luz sigue estando roja, reemplace el cartucho de la membrana.

Luz verde (derecha): Sistema en funcionamiento

Luz roja y verde: Verifique que los sensores de conductividad de entrada y salida estén secos, sin agua al sistema

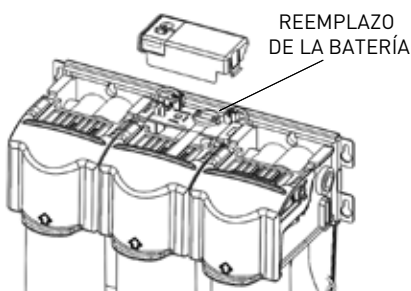
Sin luces: Es necesario cambiar la batería. Reemplace la batería cada 12 meses.

NOTA: El monitor de TDS se activa durante la instalación inicial al tirar de la pestaña de plástico del monitor de TDS.



Como reemplazar la batería

1. Reemplace la batería cada 12 meses. Para reemplazar la batería, retire la tapa del monitor de TDS y retire la batería del retén.
2. Deslice la nueva batería bajo el soporte de retención de batería con el lado positivo (+) de la batería viendo hacia arriba, hacia el soporte de retención de la batería.
3. Instale la tapa del TDS y oprima el botón para verificar el funcionamiento.



GUÍA DE RESOLUCIÓN DE PROBLEMAS

Pérdidas en el ensamble de la válvula del tanque

1. Abra la llave de agua potable para vaciar el tanque de almacenamiento. Deje abierta la llave de agua potable hasta que gotee. Cierre el suministro de agua fría.
2. Presione el anillo blanco del cople de la válvula del tanque y tire de la tubería. Desenrosque la válvula del tanque del tanque de almacenamiento. Envuelva nuevamente las roscas de la parte superior del tanque con cinta de teflón. Vuelva a enroscar la válvula al tanque. Recorte 1/2" del extremo de la tubería y vuelva a insertar 5/8" dentro del cople de la válvula del tanque.
3. Abra el suministro de agua fría y cierre la llave de ósmosis inversa. Permita que el sistema se presurice durante varias horas y verifique si hay pérdidas. Vuelva a verificar una vez que el tanque este totalmente presurizado.

Pérdidas en los coples de conexión rápida

1. Cierre el suministro de agua fría y la válvula del tanque.
2. Presione el anillo plástico y tire de la tubería.
3. Corte 1" de tubería y haga una marca a 5/8" desde el extremo. Se debe cortar la tubería directamente. Se debe quitar la rebaba interna y externa.
4. Presione la tubería aproximadamente 5/8" dentro del cople.
5. Abra el suministro de agua fría y la válvula del tanque. Si las fugas continúan, llame a Asistencia Técnica.

Agua de producto con nivel alto de TDS

Si el Monitor de TDS o el kit de prueba de TDS detecta un nivel alto de TDS (sólidos disueltos totales) en el agua de producto, es posible que la membrana de cartucho se tenga que reemplazar o es posible que el control de flujo de rechazo se obstruya. Consulte con su distribuidor o plomero para comprobar los sólidos disueltos totales del agua de producto.

Producción reducida

El flujo lento o inexistente generalmente indican que un cartucho está obstruido.

Retorno gradual del gusto y el olor

El retorno gradual del gusto y olor desagradables durante un cierto tiempo puede indicar que es necesario reemplazar los cartuchos.

Retorno repentino del gusto y el olor

Si poco tiempo después de un mantenimiento completo retornan los gustos u olores, comuníquese con Asistencia Técnica.

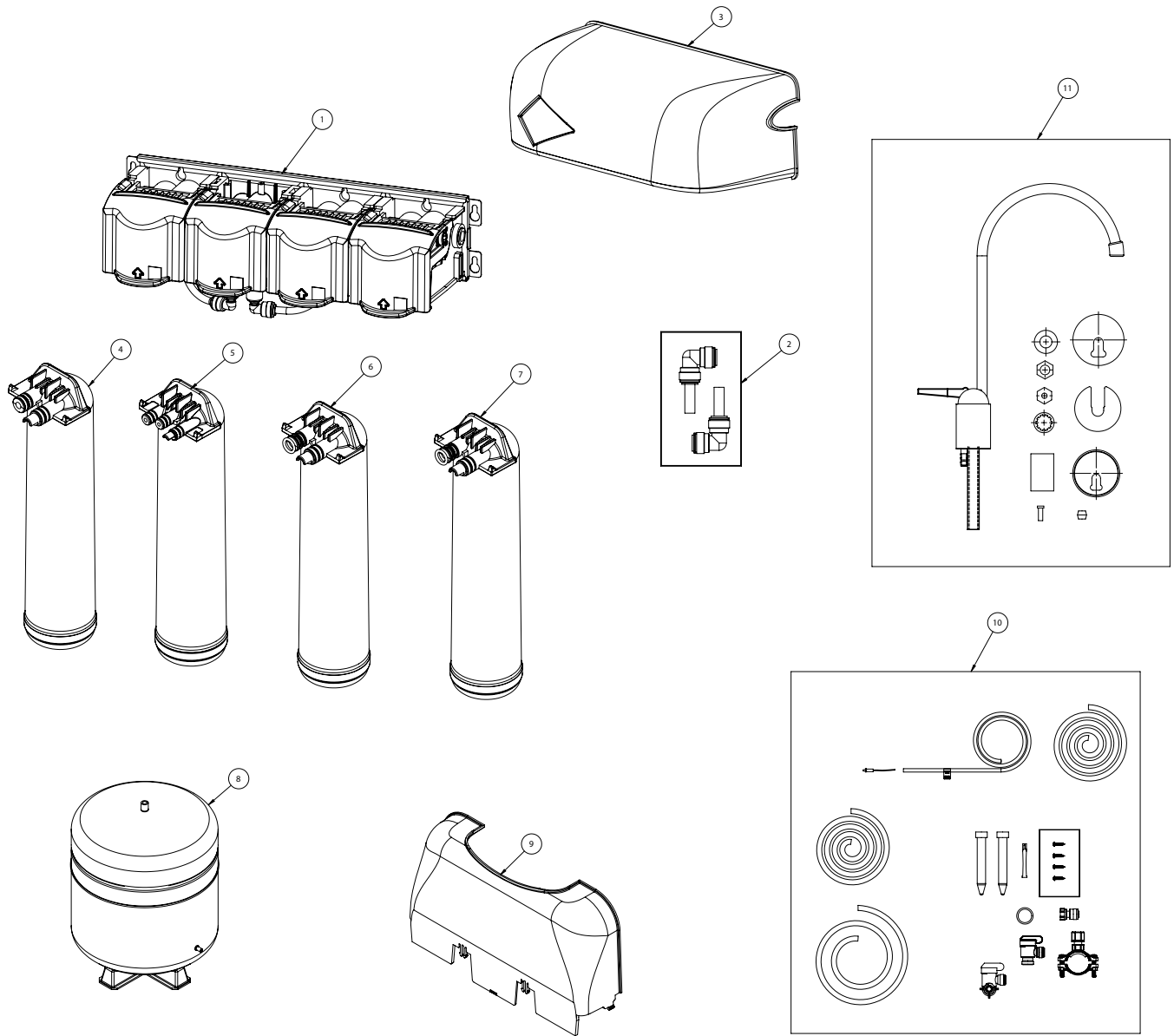
No hay presión de agua en la llave de agua potable o hay poco volumen en el tanque de almacenamiento.

1. Cierre el suministro de agua al sistema.
2. Levante el tanque de almacenamiento para saber si está vacío. Si no lo está, abra la llave de agua potable para vaciar el tanque.

NOTA: Quizás sea necesario bombear una pequeña cantidad de aire al tanque con una bomba de bicicleta para quitar toda el agua del tanque.

3. Cuando el tanque esté vacío, use un manómetro para revisar la presión del tanque. Un tanque vacío debería tener de 5 a 7 psi de presión. Incremente o disminuya la presión de aire según corresponda.
4. Abra el suministro de agua fría. Permita que el sistema funcione durante 3 horas para llenar el tanque, luego compruebe el rendimiento del sistema. Si el rendimiento no ha mejorado, llame a Asistencia Técnica.

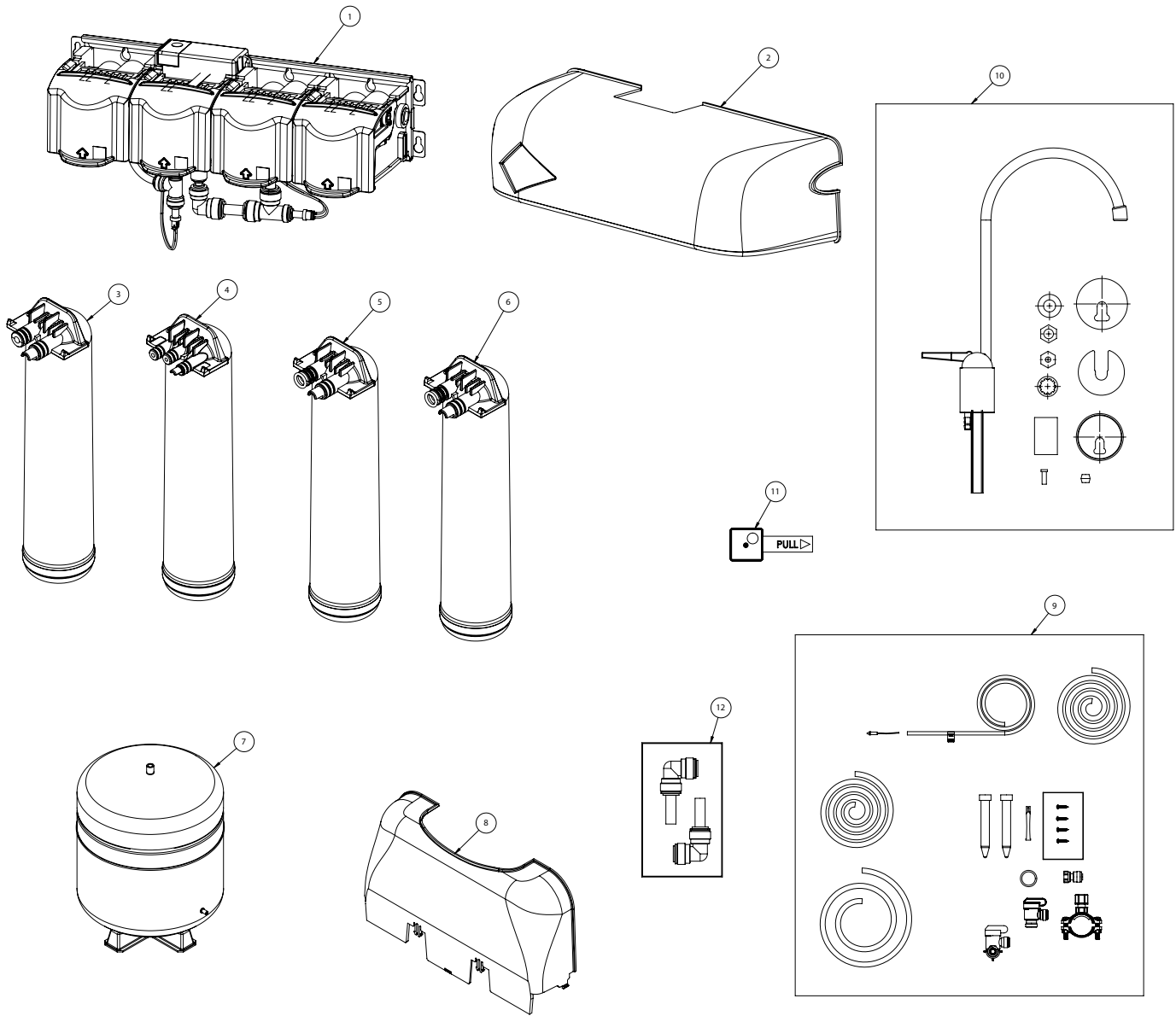
GUÍA DE PARTES DE GRO-475B



ARTÍCULO N.º	PIEZA N.º	DESCRIPCIÓN	CANT.
1	4005009	CABEZA DE ÓSMOSIS INVERSA, MODELO GRO-475B	1
2	4004588	KIT, TUBERÍA/CODOS, ÓSMOSIS INVERSA	1
3	4004916	CONJUNTO, CUBIERTA DE 4 ETAPAS, IMÁN	1
4	655123-96	FDF1-RC	1
5	655122-96	GR075-RC	1
6	655120-96	F1B1-RC	1
7	655117-96	F1GC-RC	1
8	244877	TANQUE, ÓSMOSIS INVERSA (ACERO 4.4 GAL) 1/4" NPT	1
9	4003280	CAPUCHA, ASO	1
10	4004662	KIT, SISTEMA DE ÓSMOSIS INVERSA 75 GPD	1
11	244820	ESPACIO DE AIRE DE LLAVE DE AGUA	1

Para obtener piezas de repuesto, comuníquese con su distribuidor de Filtro de Agua más cercano o llame al **800.279.9404**

GUÍA DE PARTES DE GRO-475M



ARTÍCULO N.º	PIEZA N.º	DESCRIPCIÓN	CANT.
1	4005012	CABEZA DE ÓSMOSIS INVERSA, MODELO GRO-475M	1
2	4004920	CONJUNTO, CUBIERTA DE 4 ETAPAS, IMÁN	1
3	655123-96	FDF1-RC	1
4	655122-96	GRO75-RC	1
5	655120-96	F1B1-RC	1
6	655117-96	F1GC-RC	1
7	244877	TANQUE, ÓSMOSIS INVERSA (ACERO 4.4 GAL) 1/4" NPT	1
8	4003280	CAPUCHA, ASO	1
9	4004662	KIT, SISTEMA DE ÓSMOSIS INVERSA 75 GPD	1
10	244820	ESPACIO DE AIRE DE LLAVE DE AGUA	1
11	4003641	TEMPORIZADOR, CARTUCHO DE FILTRO	1
12	4004588	KIT, TUBERÍA/CODOS, ÓSMOSIS INVERSA	1

INFORMACIÓN DE RENDIMIENTO

IMPORTANTE:

Lea estos datos sobre rendimiento y compare las capacidades de este sistema con sus necesidades de tratamiento de agua.

Se recomienda que antes de instalar un sistema de tratamiento de agua, haga analizar su suministro de agua para determinar sus necesidades de tratamiento del agua.

Este sistema ha sido analizado de acuerdo con la Norma NSF/ANSI 58 para la reducción de las sustancias enumeradas a continuación. La concentración de las sustancias indicadas en el agua que entra al sistema se redujeron a una concentración menor o igual a los límites permitidos para el agua que sale del sistema, como lo especifica la Norma NSF/ANSI 58.

El GRO-475B/GRO-475M sólo se deberá usar para reducción de arsénico en suministros de agua clorada que contengan cloro libre residual detectable en la entrada del sistema. Los sistemas de agua que usan un clorador en línea deberán proporcionar un tiempo de contacto con el cloro de un minuto antes del sistema de ósmosis inversa.

ADVERTENCIA: No se debe utilizar con agua microbiológicamente insegura o de calidad desconocida sin la desinfección adecuada previa o posterior al paso por el sistema. Los sistemas certificados para la reducción de quistes pueden usarse en aguas desinfectadas que pudieran contener quistes filtrables.

NOTA: Las sustancias reducidas no se encuentran necesariamente en su agua. Se debe mantener el filtro según las instrucciones del fabricante, incluyendo el reemplazo de los cartuchos de filtro.

El valor de eficacia probada de estos sistemas es 22.05%. El valor de eficacia es el porcentaje de agua prefiltrada en el sistema que está disponible para el usuario como agua tratada por ósmosis inversa bajo condiciones operativas que se aproximan al uso diario típico.

El valor de recuperación probada es 38.65%. El valor de recuperación es el porcentaje del agua prefiltrada en la parte de la membrana del sistema que está disponible para el usuario como agua tratada por ósmosis inversa cuando el sistema funciona sin un tanque de almacenamiento o cuando el tanque de almacenamiento está derivado.

El GRO-475B/GRO-475M se probó para el tratamiento de agua que contenía arsénico pentavalente [también conocido como As(V), As(+5) o arsenato] en concentraciones de 0.050 mg/L o menos. El sistema reduce el arsénico pentavalente, pero es posible que no elimine otras formas de arsénico. Este sistema se debe usar en suministros de agua que contengan cloro libre residual detectable o en suministros de agua que se haya demostrado contengan solo arsénico pentavalente. El tratamiento con cloramina (cloro combinado) no es suficiente para garantizar una conversión completa de arsénico trivalente en arsénico pentavalente. Si necesita más información, vea la sección Datos de arsénico de la Hoja de información sobre rendimiento.

EPA # 082989-CHN-001

Tasa de producción del sistema: 21.08 gpd (79.77 Lpd)

Clasificación de recuperación: 41.05%

Clasificación de eficiencia: 23.57%

Rechazo de TDS: 96.3%



El sistema fue probado y certificado por NSF International bajo las Normas 42, 53 y 58 de NSF/ANSI y B483.1 de CSA en cuanto a la reducción de las afirmaciones especificadas en la Hoja de información sobre rendimiento.

SISTEMA GRO-475B/GRO-475M INSTALADO CON CARTUCHOS DE FILTRO FDF1-RC, GRO75-RC, F1B1-RC, F1GC-RC

Modelo GRO-475B / GRO-475M

Sustancia	Concentración de contaminantes en el agua prefiltrada	Concentración máxima permitida de agua de producto	Necesidad de reducción	Reducción promedio
Norma 42				
Sabor y olor a cloro	2.0 mg/L ± 10%		≥50%	95.9%
Norma 53				
Quistes*	Mínimo 50,000/L		99.95%	99.99%
Atracina	0.009 mg/L ± 10%	0.003 mg/L		93.7%
Plomo (pH 6.5)	0.15 mg/L ± 10%	0.010 mg/L		99.9%
Plomo (pH 8.5)	0.15 mg/L ± 10%	0.010 mg/L		99.6%
Lindano	0.002 mg/L ± 10%	0.0002 mg/L		97.4%
Norma 58				
Sólidos disueltos totales	750 ± 40 mg/L	187 mg/L		96.3%
Arsénico pentavalente	0.050 mg/L ± 10%	0.010 mg/L		88.0%
Fluoruro	8.0 mg/L ± 10%	1.5 mg/L		93.6%
Quistes*	50,000/mL mínimo		99.95%	99.99%
Turbidez	11 mg/L ± 1 NTU	0.5 NTU		>99.1%
Plomo	0.15 mg/L ± 10%	0.010 NTU		98.6%
Selenio	0.10 mg/L ± 10%	0.05 mg/L		97.9%
Cobre	3.0 mg/L ± 10%	1.3 mg/L		98.5%
Cadmio	0.03 mg/L ± 10%	0.005 mg/L		99.1%
Cromo hexavalente	0.3 mg/L ± 10%	0.1 mg/L		96.4%
Cromo trivalente	0.3 mg/L ± 10%	0.1 mg/L		98.2%
Radio 226/228	25 pCi/L ± 10%	5 pCi/L		80.0%
Bario	10.0 mg/L ± 10%	2.0 mg/L		96.3%

* Con certificado de las Normas 53 y 58 de NSF/ANSI para reducir los quistes como Cryptosporidium y Giardia por medios mecánicos

Hoja de datos de arsénico

El arsénico (símbolo As) se encuentra de forma natural en algunas aguas de pozo. El arsénico en el agua no tiene color, gusto ni olor. Se debe medir con una prueba de laboratorio. Los servicios públicos de agua deben encargar pruebas de arsénico en su agua. Puede obtener los resultados de su servicio de suministro de agua. Si tiene su propio pozo, puede encargar una prueba del agua. El departamento de salud local o el organismo de salud ambiental del estado pueden suministrarle una lista de laboratorios certificados.

Hay dos formas de arsénico: arsénico pentavalente [también llamado As(V), As(+5), y arsenato] y arsénico trivalente [también llamado As(III), As(+3) y arsenito]. En agua de pozo, el arsénico puede ser pentavalente, trivalente o una combinación. Se necesitan procedimientos de muestreo especial para que un laboratorio determine qué tipo de arsénico y cuánto de cada tipo hay en el agua. Investigue con los laboratorios de su zona para ver si pueden ofrecer este tipo de servicio.

Los sistemas de tratamiento de agua por ósmosis inversa (RO) no eliminan muy bien el arsénico trivalente del agua. Los sistemas de ósmosis inversa son muy eficaces para eliminar el arsénico pentavalente. Un residuo de cloro libre residual convertirá rápidamente el arsénico trivalente en arsénico pentavalente. Otros productos químicos de tratamiento de agua como ozono y permanganato de potasio también cambiarán el arsénico trivalente en arsénico pentavalente. Un residuo de cloro combinado (también llamado cloramina) probablemente no convierta todo el arsénico trivalente. Si usted recibe el agua de un servicio de agua público, comuníquese con el servicio para saber si se usa cloro libre o cloro combinado en el sistema de agua.

El sistema GRO-475B/GRO-475M está diseñado para eliminar el arsénico pentavalente. No convertirá el arsénico trivalente en arsénico pentavalente. El sistema se probó en un laboratorio. En estas condiciones, el sistema redujo 0.050 mg/L (ppm) de arsénico pentavalente a 0.010 mg/L (ppm) (la norma de la USEPA para agua potable) o menos. El desempeño del sistema puede ser diferente en su instalación. Encargue que se haga una prueba del agua para buscar arsénico si el sistema está funcionando correctamente.

El componente de ósmosis inversa del sistema GRO-475B/GRO-475M se debe reemplazar cada 12 a 24 meses para asegurar que el sistema siga eliminando el arsénico pentavalente. La identificación del componente y las ubicaciones en donde puede adquirir el componente se indican en el manual de instalación y operación.

IMPORTANT : Avant d'installer ce système à osmose inverse, assurez-vous que votre alimentation en eau est conforme aux spécifications techniques suivantes. Une alimentation en eau non conforme pourrait réduire l'efficacité du système et avoir pour effet d'annuler votre garantie.

SPÉCIFICATIONS

Plage de pression :	40 à 100 lb/po ² (2,75 à 6,89 bar)
Plage de température :	4,4 à 37,8 °C (40 à 100 °F)
MDT :	< 2000 ppm
Dureté maximale [†] :	< 10 gpg (170 mg/L)
Sulfures, fer et manganèse [‡] :	< 0,1 ppm
Teneur en chlore de l'alimentation en eau :	< 2 ppm
Plage de pH :	3 à 11
Dimensions hors tout :	14,57 po L x 5,46 po P x 12,54 po H (370 mm x 139 mm x 319 mm)
Poids :	8,9 lb (4,0 kg)
Dimensions du réservoir :	10,91 po diam. x 14,61 po H (277 mm diam. x 371 mm)
Capacité maximale du réservoir :	3,2 gal (12,1 L)
Pression d'air du réservoir à vide :	5 à 7 lb/po ² (0,34 à 0,48 bar)
Poids du réservoir (plein) :	25,50 lb (11,6 kg)

[†]Si la dureté de votre eau dépasse 10 gpg (171 mg/L), des dépôts calcaires se formeront rapidement sur la membrane. Ces dépôts obstrueront la membrane et rendront le système inefficace. Nous ne recommandons pas l'utilisation de ces systèmes à osmose inverse lorsque la dureté de l'eau dépasse 10 gpg (171 mg/L).

[‡]Une concentration maximale d'environ 0,01 ppm de sulfures, de fer ou de manganèse est acceptable. Consultez votre détaillant pour savoir comment réduire ces substances dans votre eau.

PIÈCES COMPRISES :

- Système avec cartouches
- Réservoir de stockage
- Trousse d'installation
- Robinet d'eau potable sans plomb avec coupure anti-retour

Outils et matériel requis

- Perceuse à main ou électrique (modèle sans fil recommandé)
- 2 clés ajustables
- Tournevis plat et cruciforme
- Lime
- Lunettes de sécurité
- Mèches : 1/8 po, 3/16 po, 1/4 po, 3/8 po
- Coupe-tube ou couteau universel
- Crayon
- Serviette
- Seau
- Embouts de tournevis : 1/8 po, 3/16 po, 1/4 po, 3/8 po

Si l'évier ne comporte pas un trou pour un autre robinet :

- Pointeau
- Scie-cloche ou mèche de 3/4 po
- Masque de protection

NOTE : Il se peut que tous les outils ne soient pas nécessaires à l'installation. Lisez les procédures d'installation avant de commencer afin de déterminer de quels outils vous aurez besoin.

AVERTISSEMENT RELATIF À LA PROPOSITION 65 DE CALIFORNIE

AVERTISSEMENT : Ce produit contient des produits chimiques considérés par l'État de Californie comme pouvant causer des cancers, des malformations congénitales et d'autres troubles du système reproducteur.

MESURES DE PRÉCAUTION

GÉNÉRALITÉS

⚠ AVERTISSEMENT : N'utilisez pas le système avec de l'eau insalubre microbiologiquement ou de qualité inconnue sans désinfection adéquate en amont ou en aval du système. Les systèmes homologués pour réduction des kystes* peuvent être utilisés avec de l'eau désinfectée pouvant contenir des kystes filtrables.

*Homologué selon les normes NSF/ANSI 53 et 58 pour réduire les kystes comme *Cryptosporidium* et *Giardia* par des moyens mécaniques.

MISE EN GARDE : Le système à osmose inverse doit être protégé contre le gel, qui risque de craqueler les composants ou de provoquer une fuite.

NOTE :

- Pour que le système fonctionne correctement, votre eau doit se situer dans les limites prescrites. Sinon, la vie utile de la membrane peut être réduite et votre garantie sera annulée (voir la section Spécifications à la page 35).
- Ce système à osmose inverse n'offre pas de protection contre les bactéries pathogènes et n'élimine pas non plus les bactéries d'origine naturelle inoffensives.
- Le système doit être installé uniquement sur l'arrivée d'eau froide.
- Assurez-vous que l'installation est conforme aux lois et aux règlements d'État, provinciaux et municipaux.
- Les cartouches de rechange et l'élément d'osmose inverse fournis avec ce système ont une durée de vie limitée. Un changement dans le goût, l'odeur et le débit de l'eau filtrée indique que la cartouche doit être remplacée.
- Après une période prolongée d'inutilisation (par exemple, après des vacances), il est recommandé de rincer le système pendant cinq minutes avant usage.
- Une cartouche filtrante d'eau potable peut contenir de fines particules de charbon (poudre noire très fine). Après l'installation, rincez le système pendant cinq minutes afin d'éliminer les particules de charbon avant d'utiliser l'eau.
- Il est recommandé de faire couler l'eau pendant au moins 20 secondes avant de la boire ou de l'utiliser pour la cuisson.
- Les contaminants et les autres substances éliminées ou réduites par ce système ne sont pas forcément présents dans votre eau.

COMMENT FONCTIONNE L'OSMOSE INVERSE

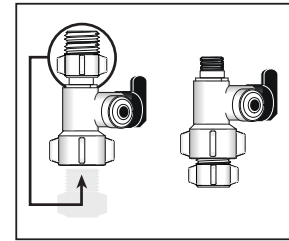
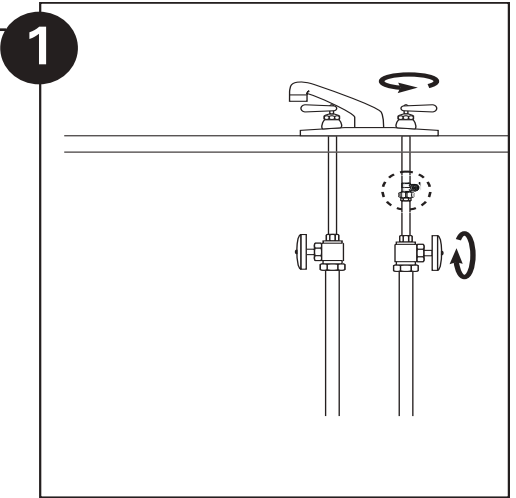
Le système à osmose inverse GRO-475B / GRO-475M utilise une membrane semi-perméable pour réduire la teneur en sels et en minéraux dissous et améliorer ainsi le goût et l'odeur de votre eau. La membrane OI est composée de plusieurs films dont l'épaisseur est de l'ordre du micron et qui sont enroulés autour d'un tube central. Les molécules d'eau peuvent traverser la membrane mais non les sels et les minéraux dissous.

Dans le système à osmose inverse GRO-475B / GRO-475M, la filtration est réalisée en quatre étapes. Votre eau subit une préfiltration qui en réduit les impuretés et le chlore qui peuvent encrasser la membrane. La membrane OI sépare cette eau préfiltrée en EAU FILTRÉE et en EAU GRISE ou EAU USÉE. La pression d'admission de l'eau pousse l'eau filtrée à travers la membrane, dans le réservoir de stockage. Les matières dissoutes et les autres contaminants ne peuvent traverser la membrane et sont évacués sous forme d'eau usée. Lorsque vous ouvrez le robinet d'eau potable, l'eau filtrée tirée du réservoir de stockage traverse un post-filtre au charbon activé qui vous procure une eau plus propre et plus savoureuse.

Pour chaque gallon d'eau produit, plusieurs gallons sont rejetés sous forme d'eau usée. Le réservoir de stockage peut contenir jusqu'à 2,1 gallons (7,9 L) d'eau que vous pourrez boire et utiliser pour cuisiner. Lorsque le système est utilisé conformément aux spécifications de la page 35 du manuel, vos membranes d'osmose inverse devraient durer de 12 à 24 mois.

INSTALLATION

- Veuillez lire toutes les directives et prendre toutes les précautions nécessaires avant d'installer et d'utiliser votre système de filtration GRO-475B/GRO-475M.
- Pour une installation standard sous évier sur une conduite d'eau froide en acier, en laiton ou en cuivre de 3/8 po (9,52 mm).
- Lorsque vous choisissez l'emplacement de montage du système et du réservoir, tenez compte de la longueur de tuyau nécessaire au raccordement des composants du système à la tuyauterie existante. Certains emplacements peuvent nécessiter des tronçons de tuyau plus longs que ceux qui sont fournis dans la trousse.
- Les schémas numérotés correspondent aux étapes à suivre.



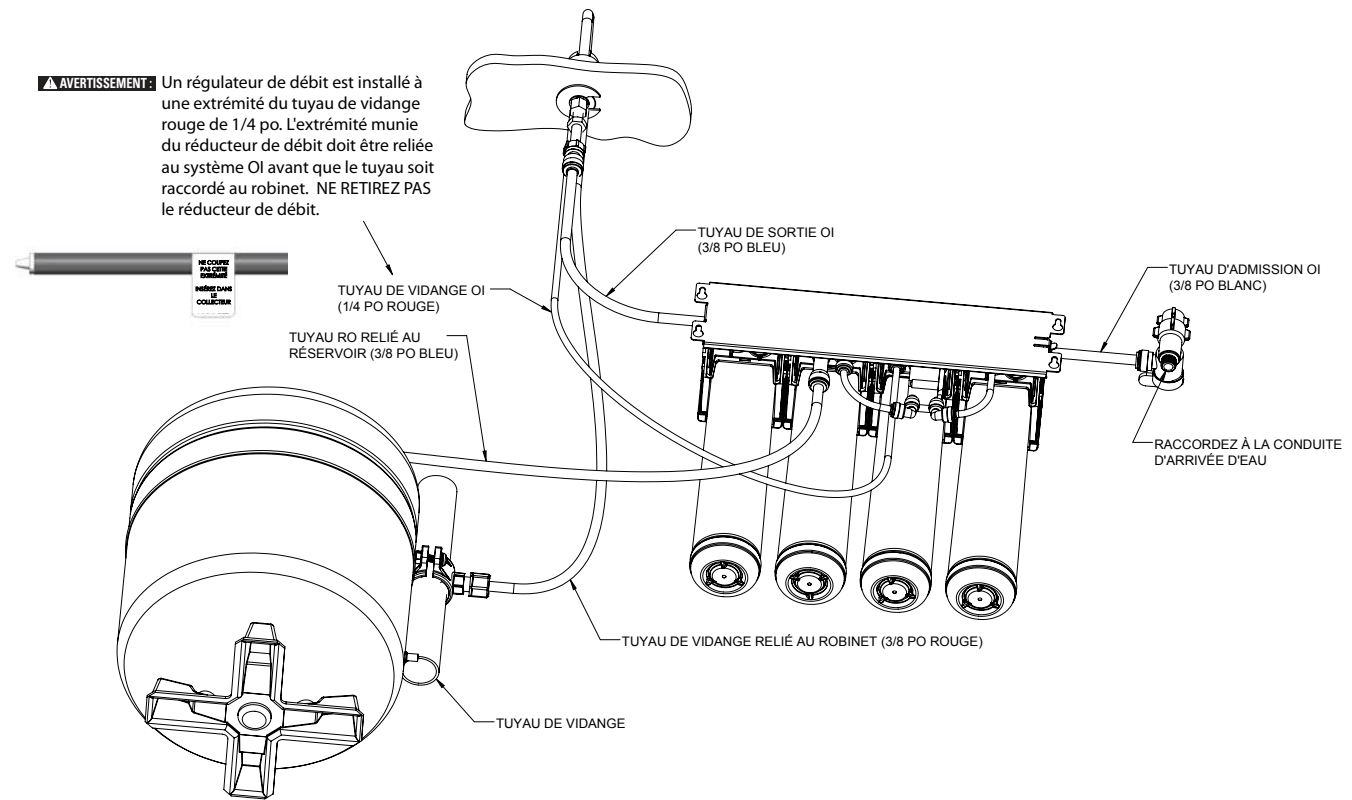
1. Installation de l'adaptateur d'arrivée d'eau

L'adaptateur d'arrivée d'eau s'installe sur des conduites de 1/2 po – 14 NPS ou des raccords à compression de 3/8 po x 3/8 po. Si les codes locaux le permettent, il peut être utilisé pour raccorder le système à la conduite d'alimentation en eau froide. Si les codes locaux ne permettent pas l'utilisation de l'adaptateur d'arrivée d'eau, vous pouvez vous procurer d'autres raccords auprès de votre fournisseur local.

Instructions :

- Coupez l'alimentation en eau froide. S'il n'y a pas sous l'évier de robinet permettant de couper l'alimentation en eau froide, vous devriez en installer un.
- Ouvrez le robinet d'eau froide et laissez l'eau s'écouler complètement de la conduite.
- Débranchez le robinet d'alimentation en eau froide de la conduite verticale.
- Assurez-vous que le joint d'étanchéité est complètement inséré dans le filetage femelle de l'adaptateur d'arrivée.
- Installez l'adaptateur d'arrivée sur le robinet d'alimentation. L'adaptateur d'arrivée peut être installé en dessous du tuyau d'alimentation ou au-dessus du tuyau d'arrivée d'eau froide. Serrez à la main seulement.
- Raccordez la conduite verticale à l'adaptateur d'arrivée.

NOTE : Assurez-vous de ne pas fausser le filetage.



INSTALLATION (SUITE)...

2. Choix de l'emplacement du robinet

L'emplacement du robinet d'eau potable doit être choisi en tenant compte du fonctionnement, du côté pratique et de l'aspect esthétique. Trouvez une surface plane adéquate pour que la base du robinet repose à plat de façon stable. Le robinet s'insère dans un orifice de 3/4 po. La plupart des éviers comportent des trous de 1 po 3/8 ou de 1 po 1/2 qui peuvent servir à l'installation du robinet. Si ces trous ne peuvent pas servir à l'installation ou s'ils se trouvent à un endroit peu commode, il sera nécessaire de percer un trou d'un diamètre de 3/4 po dans l'évier pour recevoir le robinet.

MISE EN GARDE: Cette procédure produit de la poussière qui risque de provoquer de l'irritation en cas d'inhalation ou de contact avec les yeux. Le port de lunettes de sécurité et d'un masque de protection est recommandé pour cette procédure.

MISE EN GARDE: NE TENTEZ PAS DE PERCER UN ÉVIER ENTIÈREMENT FAIT DE PORCELAINES. Si vous avez un évier fait entièrement de porcelaine, montez le robinet sur le trou déjà perforé destiné à la douchette ou percez le comptoir à proximité de l'évier.

MISE EN GARDE: Avant de percer un comptoir, assurez-vous qu'il n'y a pas de fil ou de tuyau sous la surface à percer. Vérifiez si l'espace est suffisant pour faire les raccords nécessaires sous le robinet.

MISE EN GARDE: Ne percez pas un comptoir dont l'épaisseur est supérieure à 2,54 cm (1 po).

MISE EN GARDE: Ne tentez pas de percer un trou dans un comptoir fait de carreaux de céramique, de marbre, de granite ou d'un matériau similaire. Pour obtenir des conseils ou de l'aide, adressez-vous à un plombier ou au fabricant du comptoir.

Les instructions suivantes s'appliquent SEULEMENT aux éviers en acier.

- (A) Déposez du papier journal au fond de l'évier pour éviter que des copeaux, des pièces ou des outils tombent dans le tuyau de vidange.
- (B) Collez du ruban-masque sur la surface à percer pour prévenir les éraflures si la mèche de perceuse glisse.
- (C) Marquez l'emplacement du trou à l'aide d'un pointeau. Utilisez une mèche de perceuse de 1/4 po pour percer l'avant-trou dans l'évier.
- (D) Utilisez une scie-cloche de 1 1/4 po pour agrandir le trou. Poncez les rebords inégaux à l'aide d'une lime.

3. Montage du robinet

⚠ AVERTISSEMENT : Compte tenu de la diversité des emplacements de montage, il est fortement recommandé de raccorder le tuyau de vidange rouge de 1/4 po au collecteur du système OI avant de procéder au montage complet du robinet. Notez la longueur de tuyau de vidange rouge de 1/4 po nécessaire pour relier le collecteur du système OI au robinet et planifiez en conséquence l'emplacement de montage des composants du système. Un régulateur de débit est en outre installé à une extrémité du tuyau de vidange rouge de 1/4 po. L'extrémité munie du réducteur de débit doit être solidement raccordée au collecteur du système OI avant que le tuyau soit relié au robinet. NE RETIREZ PAS le réducteur de débit.

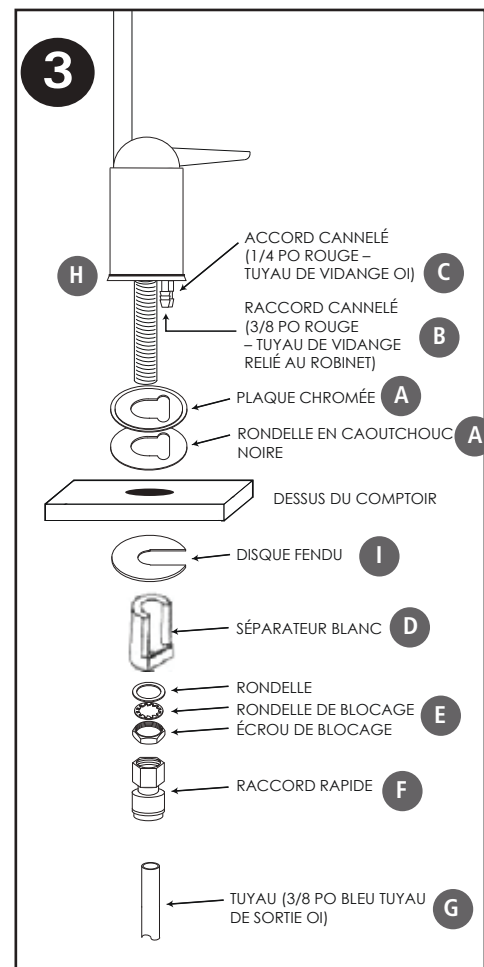
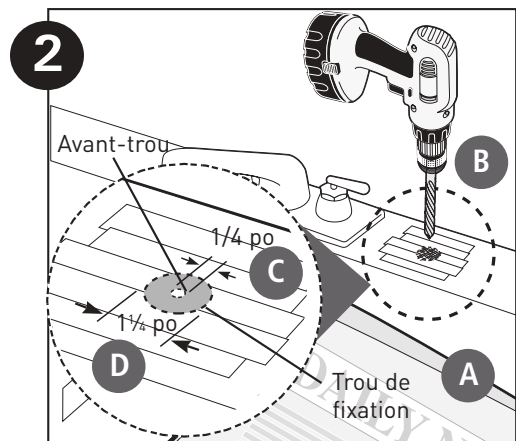
NOTE : Il se peut que toutes les pièces fournies avec le robinet ne soient pas nécessaires à l'installation.

- (A) Glissez la plaque chromée et la rondelle en caoutchouc noire sur le robinet en faisant passer les deux tuyaux de vidange dans les orifices de la plaque et de la rondelle.
- (B) Fixez le gros tuyau de vidange rouge de 3/8 po au raccord cannelé à la base du robinet. Ce tuyau devrait être suffisamment long pour atteindre le collier de serrage installé à l'étape 4.
- (C) Repérez le petit tuyau de vidange rouge de 1/4 po raccordé à l'orifice de vidange de l'élément d'osmose inverse écologique. Acheminez le tuyau au robinet et coupez l'excédent.
- (D) Glissez le séparateur blanc sur la longue partie fileté du robinet. L'extrémité ouverte du séparateur devrait être en contact avec la base du robinet.
- (E) Vissez la rondelle, la rondelle de blocage et l'écrou de blocage sur l'embout fileté du robinet.
- (F) Vissez le raccord rapide à l'embout fileté du robinet.
- (G) Humectez l'extrémité du tuyau bleu de 3/8 po. Insérez le tuyau dans le bas du raccord rapide. Tirez doucement sur le tuyau afin de vous assurer qu'il est bien raccordé.

NOTE : Pour retirer le tuyau, appuyez sur le collier du raccord et tirez sur le tuyau.

(H) En tenant le robinet, insérez le tuyau à travers le trou dans l'évier. Placez la poignée de robinet à l'endroit désiré.

(I) Centrez le robinet et glissez le disque fendu entre le séparateur blanc et le dessous du comptoir ou de l'évier. Serrez le contre-écrou à l'aide d'une clé jusqu'au serrage complet.

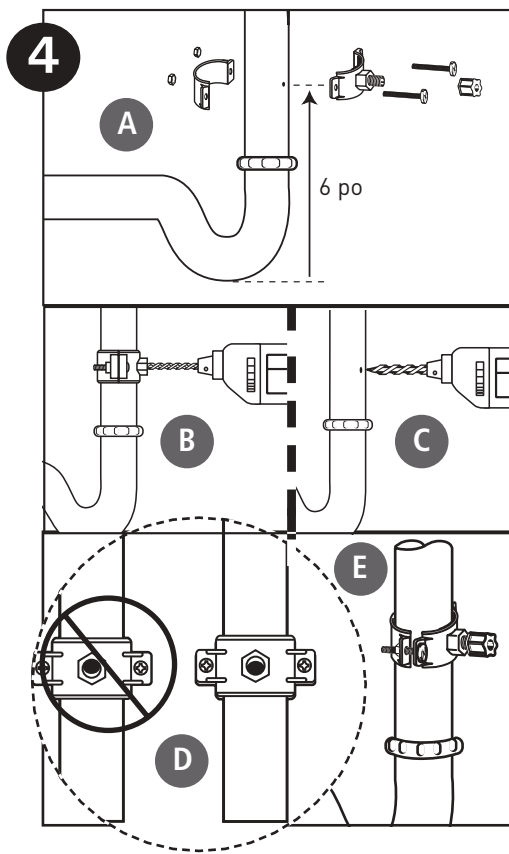


4. Installer le collier de serrage sur le tuyau d'évacuation

NOTE : Si vous avez un évier à un seul bac avec broyeur de déchets, communiquez avec le soutien technique pour connaître vos options.

NOTE : Avant d'installer le collier de serrage, vérifiez si les tuyaux d'évacuation qui se trouvent sous l'évier sont corrodés. Vous devez remplacer les tuyaux corrodés avant de poursuivre l'installation.

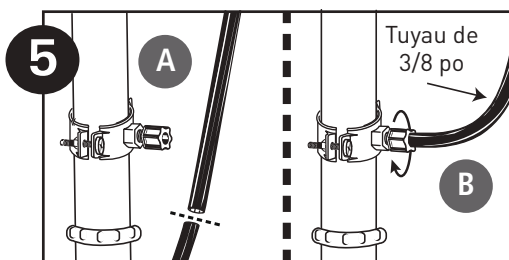
- (A) Fixez le collier de serrage à un tronçon vertical du tuyau d'évacuation, à environ 6 po au-dessus du siphon. Assurez-vous que l'ouverture du collier de serrage fait face au robinet d'eau potable.
- (B) En utilisant le trou de montage du collier de serrage comme guide, percez un trou de 1/4 po sur un côté du tuyau d'évacuation.
- (C) Retirez le collier de serrage du tuyau d'évacuation et agrandissez le trou à l'aide d'une mèche de 3/8 po. Utilisez une lime pour adoucir les bords rugueux du trou.
- (D) Assurez-vous que la rondelle en caoutchouc noire est bien en place dans le collier de serrage et placez le collier de serrage sur le trou percé. Regardez par le trou et positionnez le collier de manière que son centre soit légèrement plus haut (1/16 po) que le centre du trou percé. Serrez le collier fermement.
- (E) Vissez l'écrou à compression en plastique sur le collier de serrage jusqu'à ce qu'il soit bien serré.



5. Raccordement du robinet au tuyau de vidange

MISE EN GARDE: Il s'agit d'un tuyau de vidange par gravité. Vous devez éliminer les plis, les boucles et les angles vifs avant de poursuivre. À défaut de créer une trajectoire droite vers l'orifice de vidange, l'eau usée pourrait s'infiltrer par la coupure anti-retour située au-dessus du comptoir, en dessous du robinet.

- (A) Alignez le gros tuyau rouge d'eau usée de 3/8 po relié au robinet sur l'écrou à compression situé sur le collier de serrage. Le parcours du tuyau doit être le plus droit et le plus direct possible. Ne pliez pas le tuyau. Coupez le tuyau d'équerre et éliminez toutes les bavures internes et externes. Insérez la garniture interne (cône blanc) dans l'extrémité du tuyau rouge de 3/8 po. Retirez l'écrou à compression du collier de serrage. Placez l'écrou à compression sur l'extrémité du tuyau rouge de 3/8 po.
- (B) Insérez le tuyau dans l'orifice de vidange jusqu'en butée. Serrez l'écrou à compression avec les doigts, puis serrez-le d'un tour ou deux à l'aide d'une clé afin de le fixer solidement à l'orifice de vidange.



6. Montage du système

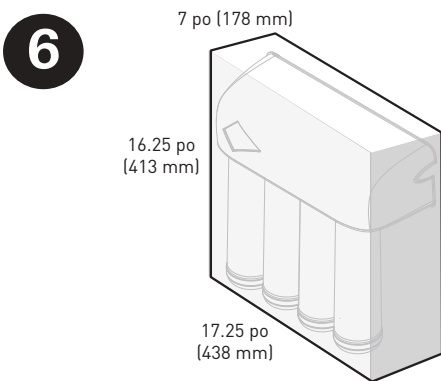
AVERTISSEMENT: Lorsque vous choisissez l'emplacement de montage du système et du réservoir, tenez compte de la longueur de tuyau nécessaire au raccordement des composants. Certains emplacements peuvent nécessiter des tronçons de tuyau plus longs que ceux qui sont fournis dans la trousse.

- (A) Choisissez l'endroit sous l'évier, ou tout autre emplacement approprié, où le système sera installé.

NOTE : La boîte contenant le système peut servir à évaluer l'espace nécessaire à l'installation et au remplacement des cartouches (figure 6).

- (B) Montez le système à la verticale. Vérifiez si le montage est de niveau. Retirez les cartouches filtrantes pour accéder plus facilement aux trous de fixation. Tracez une marque au crayon à l'intérieur de la partie allongée des trous de fixation (figure 4b). Autre option de montage : Si le système est monté près du sol, tracez les marques au crayon au-dessus des trous de fixation des supports de montage afin de disposer de suffisamment d'espace entre les cartouches et le sol pour effectuer leur remplacement (figure 4c). Utilisez une mèche de 3/32 po pour percer les avant-trous destinés au montage.

AVERTISSEMENT: Le système doit être monté sur une surface dure et solide en mesure de supporter le poids de l'ensemble.



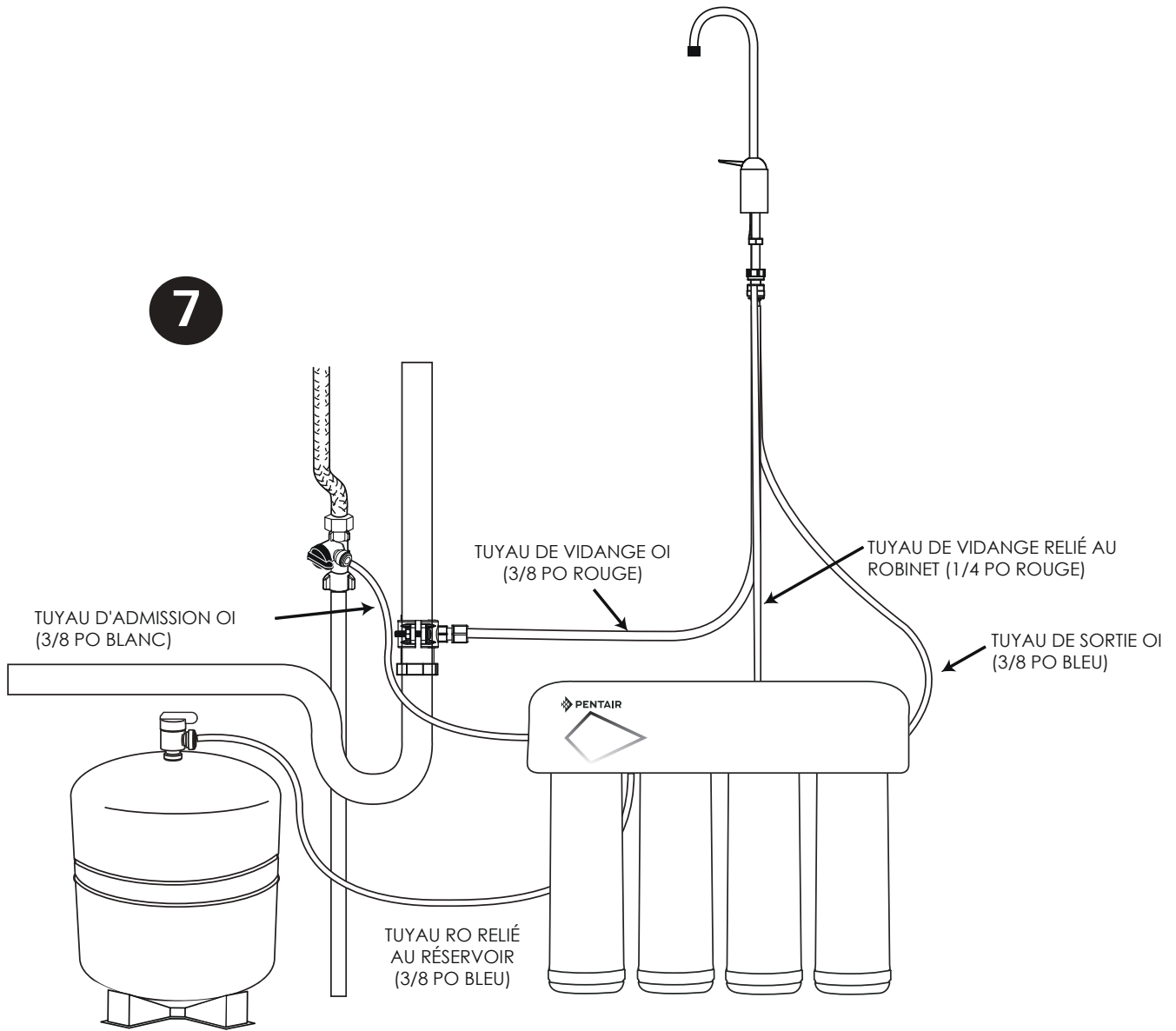
7. Raccordement du robinet au système

- (A) Calculez la longueur de tuyau de plastique bleu nécessaire pour raccorder la sortie du filtre (à droite) au robinet. Prévoyez une longueur de tuyau suffisante pour éviter les plis et taillez le tuyau droit. Utilisez un marqueur pour tracer une ligne à 5/8 po de l'extrémité du tuyau. Humectez l'extrémité du tuyau de 3/8 po et poussez-la à l'intérieur du raccord de sortie du système (à droite) jusqu'à la marque.

MISE EN GARDE: Évitez de plier ou d'écraser le tuyau en l'insérant.

- (B) Tirez délicatement sur le tuyau pour vérifier s'il est bien raccordé.

7



INSTALLATION (SUITE) . . .

8. Raccordement du réservoir de stockage au système

MISE EN GARDE: Lorsque le réservoir est plein, il pèse environ 19,5 lb (8,8 kg.). Prévoyez un appui suffisant sous le réservoir.

- (A) Pour prévenir les fuites, appliquez trois tours ou plus de ruban à plomberie sur les filetages du réservoir. Vissez la vanne sur le dessus de l'ouverture du réservoir. Tournez le réservoir de manière que la poignée soit alignée sur le tuyau.

MISE EN GARDE: L'eau fuira entre la vanne et le réservoir si le raccord n'est pas étanche. Du ruban à plomberie permettra ordinairement d'assurer l'étanchéité du raccord fileté.

- (B) Repérez le tuyau bleu de 3/8 po. Tracez une marque à 5/8 po de l'extrémité du tuyau. Humectez l'extrémité marquée du tuyau et insérez le tuyau en lui imprimant un mouvement de torsion dans l'orifice de la vanne du réservoir jusqu'à ce que la marque tracée à 5/8 po de l'extrémité se trouve vis-à-vis du raccord rapide. Placez ensuite le réservoir près de l'endroit où le système sera installé.
- (C) Coupez le tuyau à la longueur voulue. Insérez l'extrémité libre du tuyau dans le raccord rapide blanc qui se trouve sur le système. Assurez-vous que le tuyau n'est pas plié. Conservez le reste du tuyau bleu pour le raccordement du système à l'adaptateur d'arrivée d'eau. Certains emplacements peuvent nécessiter des tronçons de tuyau plus longs que ceux qui sont fournis dans la trousse.
- (D) Placez l'ensemble du système sur les vis de fixation au mur et faites-le glisser vers le bas.

MISE EN GARDE: Assurez-vous que le système est solidement fixé au mur et qu'il ne risque pas de tomber et de subir des dommages.

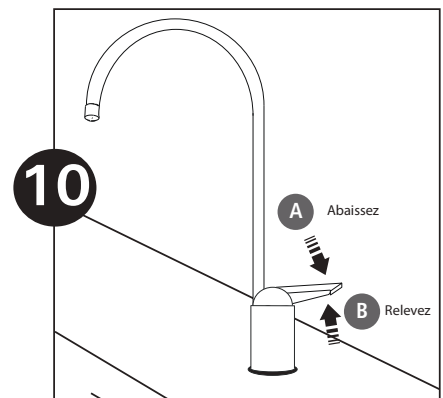
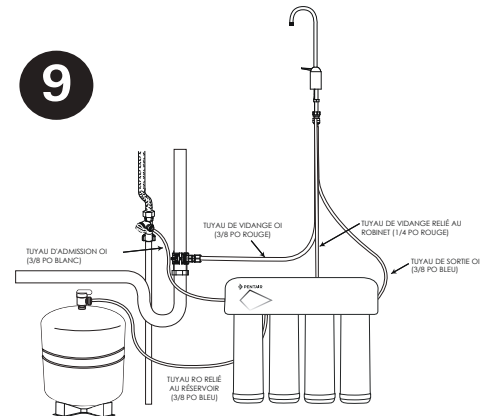
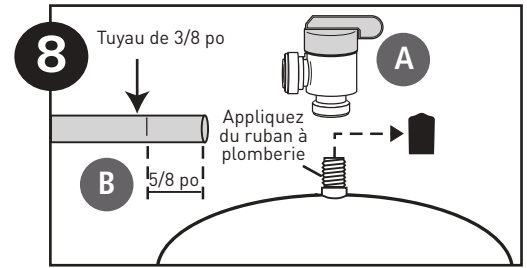
NOTE : Veillez à ne pas plier ou écraser le tuyau à l'arrière du système lorsque vous fixez celui-ci aux vis de fixation.

9. Raccordement du système à l'adaptateur d'arrivée d'eau

- (A) Repérez le reste de tuyau bleu en plastique de 3/8 po.
- (B) Tracez une marque à 5/8 po de l'extrémité du tuyau. Humectez l'extrémité marquée du tuyau et insérez le tuyau en lui imprimant un mouvement de torsion dans le raccord rapide blanc du côté gauche du système. Selon l'installation, il peut être nécessaire d'enlever le système de la surface de montage pour accéder au côté gauche du système.
- (C) Coupez le tuyau à la longueur nécessaire pour effectuer le raccordement à l'adaptateur d'arrivée d'eau. Assurez-vous que le tuyau n'est pas plié. Tracez une marque à 5/8 po de l'extrémité du tuyau. Humectez l'extrémité marquée du tuyau et insérez le tuyau en lui imprimant un mouvement de torsion dans le raccord rapide qui se trouve sur l'adaptateur d'arrivée d'eau.

10. Fonctionnement de la vanne

- (A) Pour un débit régulé, abaissez la poignée de la vanne.
- (B) Pour un débit d'eau constant, relevez la poignée de la vanne pour la verrouiller en



position ouverte.

11. Démarrage du système

NOTE : La membrane d'osmose inverse est traitée au moyen d'un désinfectant de qualité alimentaire qui peut donner à l'eau une saveur désagréable. Bien que cette substance ne soit pas nocive, elle doit être éliminée du système.

NOTE : Le filtre de polissage post-filtration peut contenir de fines particules de noir de carbone. Ces particules sont inoffensives, mais elles peuvent donner à l'eau une teinte grise. Une fois que le système aura complètement rempli le réservoir d'eau traitée, il aura évacué ces particules fines.

NOTE : Le système OI ne produit pas sur demande un aussi grand volume d'eau que les systèmes de filtration ordinaires. L'eau est produite lentement, goutte à goutte. Il faut de deux à quatre heures au système pour remplir le réservoir de stockage. À mesure que de l'eau est prélevée du réservoir, le système amorce automatiquement le cycle de remplacement, puis arrête de produire de l'eau lorsque le réservoir est plein.

MISE EN GARDE: Vérifiez visuellement l'ensemble du système à la recherche de fuites. Si vous décelez une fuite, consultez la section Dépannage à la page 46.

- (A) Fermez la vanne en haut du réservoir de stockage.
- (B) Ouvrez l'arrivée d'eau froide et assurez-vous que l'adaptateur d'arrivée est ouvert.
- (C) Relevez la poignée de la vanne pour la verrouiller en position ouverte et laissez l'eau goutter pendant 30 minutes.
- (D) Ouvrez complètement l'arrivée d'eau froide jusqu'en butée. Laissez l'eau goutter du robinet pendant 12 heures de plus. Fermez ensuite le robinet et ouvrez la vanne du réservoir de stockage. La vanne du réservoir est ouverte lorsque la poignée est alignée sur le raccord de tuyau.
- (E) Laissez le réservoir se remplir d'eau, ce qui prend trois heures. Continuez à vérifier périodiquement si l'installation présente des fuites. Une fois que le réservoir de stockage est plein, ouvrez le robinet pour rincer la cartouche de post-filtration. Attendez quatre à cinq minutes que toute l'eau soit évacuée du réservoir. Fermez le robinet et laissez le réservoir se remplir.
- (F) Répétez l'étape E à quatre reprises.

NOTE : Au départ, l'eau peut sembler trouble. Cette turbidité est causée par l'air emprisonné dans le filtre de polissage post-filtration. Elle ne présente pas de dangers et disparaîtra en quelques minutes. Il peut falloir jusqu'à une semaine après l'installation d'un nouveau filtre de polissage post-filtration pour que l'air emprisonné se dissipe.

Le système est prêt à fonctionner. Vous pouvez désormais bénéficier de l'eau de qualité produite par votre système à osmose inverse.

ESSAI DE VOTRE SYSTÈME À OSMOSE INVERSE

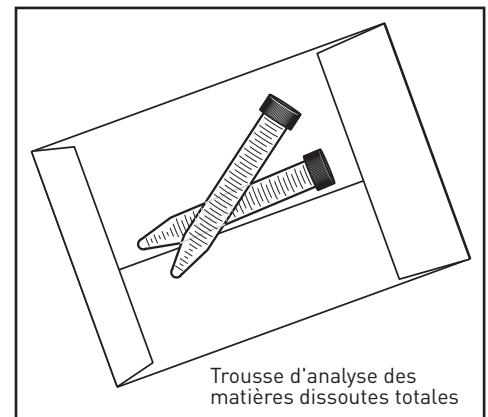
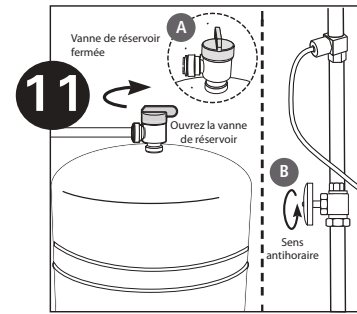
(SYSTÈMES SANS SURVEILLANCE UNIQUEMENT)

Système de filtration à osmose inverse GRO-475B Trousse d'analyse des matières dissoutes totales (MDT)

NOTE : Il est fortement recommandé que vous (le consommateur) fassiez analyser votre eau au moins tous les six mois afin de vous assurer que votre système fonctionne correctement.

INSTRUCTIONS D'ÉCHANTILLONNAGE :

Des instructions d'échantillonnage sont fournies dans votre trousse d'analyse des matières dissoutes totales (MDT).



AUTRE MÉTHODE D'INSTALLATION

Raccordement de votre système à osmose inverse à la machine à glaçons ou au rafraîchisseur d'eau de votre réfrigérateur

MISE EN GARDE: Si vous raccordez cet appareil à la machine à glaçons de votre réfrigérateur au moment de l'installation initiale, attendez que le filtre de polissage post-filtration ait été rincé, comme il est indiqué à l'étape 11, avant de mettre en marche la machine à glaçons.

MISE EN GARDE: Utilisez des tuyaux et des raccords en plastique. N'utilisez pas de tubes en cuivre ni de raccords en laiton.

NOTE : Pour un rendement optimal, la distance entre le système à osmose inverse et la machine à glaçons ou le rafraîchisseur d'eau du réfrigérateur ne devrait pas dépasser 10 pi (3 m). Lorsque cette distance est supérieure à 10 pieds, la pression d'eau du système peut ne pas être suffisante pour acheminer l'eau vers le réfrigérateur.

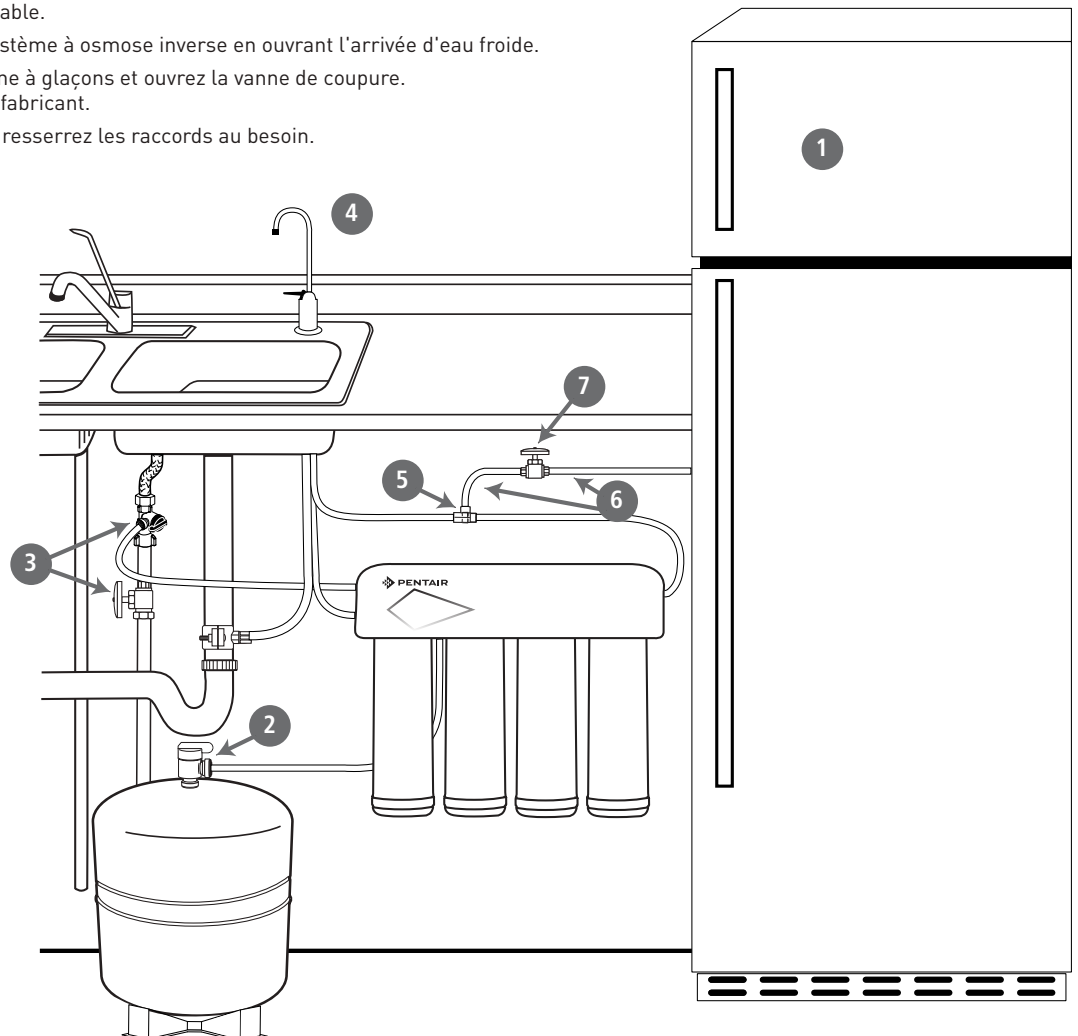
MATÉRIEL REQUIS (vendu à votre quincaillerie locale) :

- Té à compression ou à branchement rapide de 3/8 po x 3/8 po x 3/8 po (0,952 mm x 0,952 mm x 0,952 mm)
- Tuyau de polyéthylène de 10 pieds (3 m) de longueur, de 3/8 po (0,952 mm)
- Vanne de coupure

1. Fermez l'arrivée d'eau du réfrigérateur et la machine à glaçons (consultez les directives du fabricant).
2. Fermez la vanne du réservoir de stockage (sur le dessus du réservoir).
3. Coupez l'arrivée d'eau au système OI en fermant l'arrivée d'eau froide ou l'adaptateur d'arrivée d'eau.
4. Ouvrez le robinet d'eau potable pour réduire la pression.
5. Repérez le tuyau à perméat qui aboutit à votre robinet d'eau potable. Coupez et insérez le té à compression ou à branchement rapide de 3/8 po x 3/8 po x 3/8 po dans le tuyau à perméat.
Consultez les directives du fabricant avant d'installer l'adaptateur d'arrivée.

NOTE : Lorsque vous coupez le tuyau à perméat, il se peut que de l'eau s'en échappe.

6. Au moyen d'un bout de tuyau en polyéthylène de 3/8 po, raccordez la conduite de la machine à glaçons ou du rafraîchisseur d'eau à l'embout libre du té à compression.
7. La vanne de coupure devrait être installée le plus près possible de cet embout. La vanne de coupure devrait être installée en position d'arrêt.
Consultez les directives du fabricant avant d'installer la vanne de coupure.
8. Ouvrez complètement l'arrivée d'eau froide.
9. Ouvrez la vanne du réservoir.
10. Fermez le robinet d'eau potable.
11. Ouvrez l'arrivée d'eau au système à osmose inverse en ouvrant l'arrivée d'eau froide.
12. Mettez en marche la machine à glaçons et ouvrez la vanne de coupure.
Consultez les directives du fabricant.
13. Vérifiez s'il y a des fuites et resserrez les raccords au besoin.



Remplacement de la cartouche filtrante

NOTE : La durée de vie utile des cartouches filtrantes dépend du volume d'eau consommé et de la qualité de l'eau d'alimentation. Il est recommandé de remplacer les cartouches filtrantes tous les six à douze mois, ou lorsqu'un changement de goût, d'odeur ou de débit de l'eau filtrée est décelé.

Assurez-vous de choisir la cartouche correspondant au système.

Le modèle GRO-475B / GRO-475M utilise des cartouches de rechange FDF1-RC, GRO75-RC, F1B1-RC et F1GC-RC.

3. Remplacement d'une cartouche

- Évacuez la pression en coupant l'arrivée d'eau au système et en ouvrant le robinet jusqu'à ce que l'écoulement d'eau cesse, puis attendez cinq à dix minutes pour permettre la détente de la membrane OI. Placez un seau ou une serviette sous le système pour absorber les gouttes d'eau.
- Soulevez la tige de blocage vers le haut jusqu'à ce que la cartouche se dégage de la tête du filtre (figure A).
- Retirez la cartouche de la tête du filtre et assurez-vous que la tige de blocage demeure en position complètement relevée (figure B).
- Alignez les tiges de la cartouche filtrante vis-à-vis des logements de la tête de filtre. Faites glisser la cartouche filtrante à l'intérieur de la tête du filtre en enclenchant la tige de blocage jusqu'à ce qu'elle s'abaisse vers l'avant (figure C).
- Abaissez la tige de blocage jusqu'à ce qu'elle s'enclenche (figure D).

Dépannage

Fuites entre la tête de filtre et la cartouche filtrante

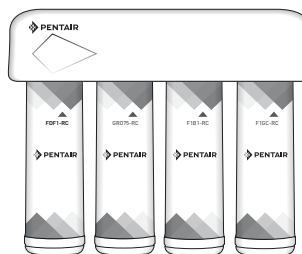
- Évacuez la pression en coupant l'arrivée d'eau au système et en ouvrant le robinet jusqu'à ce que l'écoulement d'eau cesse. Placez un seau ou une serviette sous le système pour absorber les gouttes d'eau.
- Retirez la cartouche et vérifiez si les joints toriques sont logés correctement et propres.
- Installez la cartouche filtrante. Mettez le système en marche et assurez-vous de l'absence de fuite. Si le système continue à fuir, coupez l'alimentation en eau et communiquez avec le soutien technique au 1 800 279-9404.

Fuites aux raccords de tuyau

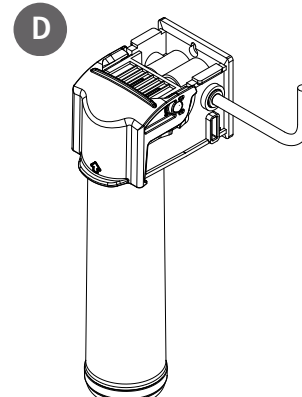
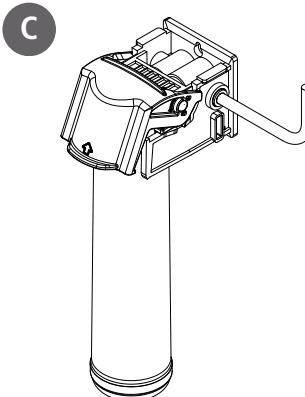
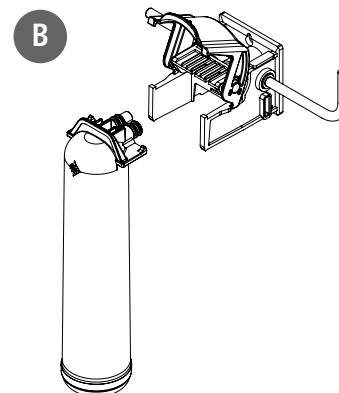
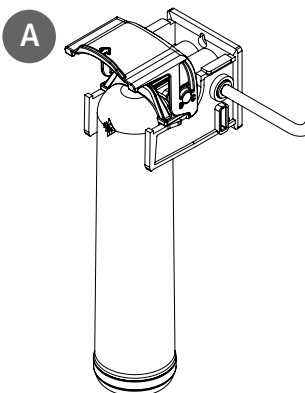
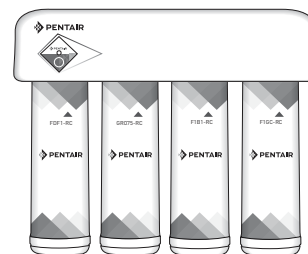
- Évacuez la pression en coupant l'arrivée d'eau au système et en ouvrant le robinet jusqu'à ce que l'écoulement d'eau cesse. Placez un seau ou une serviette sous le système pour absorber les gouttes d'eau.
- Abaissez le collier du système ou le raccord de l'adaptateur d'arrivée d'eau et faites glisser le tuyau hors du raccord. Inspectez la surface du tuyau à la recherche d'éraflures ou de saleté. Nettoyez le tuyau ou taillez-le pour que la surface soit propre.
- Humectez l'extrémité du tuyau d'arrivée et insérez-la dans le raccord d'arrivée du système. Assurez-vous que le tuyau est entièrement inséré et qu'il dépasse des joints toriques. Mettez le système en marche et assurez-vous de l'absence de fuite. Si le système continue à fuir, coupez l'alimentation en eau et communiquez avec le soutien technique au 1 800 279-9404.

Séquence des cartouches

GRO-475B



GRO-475M



Fonctionnement de la minuterie de la cartouche

MINUTERIE DE LA CARTOUCHE FILTRANTE

(SYSTÈMES SOUS SURVEILLANCE UNIQUEMENT)

La minuterie de la cartouche filtrante peut être fixée au couvercle décoratif du système en décollant la bande adhésive de la plaque de métal intégrée à la minuterie de la cartouche. La minuterie peut également être fixée à une surface métallique à l'aide d'un aimant installé en usine sur celle-ci.

INSTALLATION ET MISE EN MARCHÉ

Une fois le lieu d'installation choisi, mettez en marche la minuterie en détachant la languette de plastique sur la paroi latérale de la minuterie. Pressez le bouton et relâchez-le pour vérifier si la pile fonctionne. Le témoin clignote en vert à trois reprises (figure A).

NOTE : La minuterie fonctionne selon un calendrier de 12 mois. La minuterie utilise une pile bouton de type 2023.

La minuterie de la cartouche filtrante est en marche

Fonctionnement

1. La minuterie commencera à clignoter en rouge 1 fois toutes les 3 minutes après 11 mois et 3 fois toutes les 3 minutes après 12 mois (figure B).

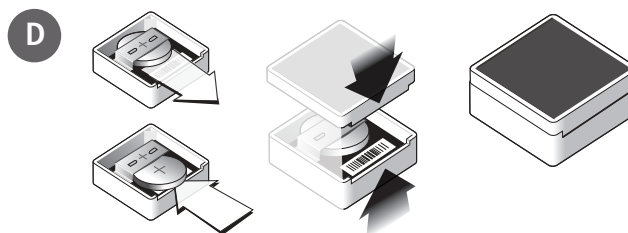
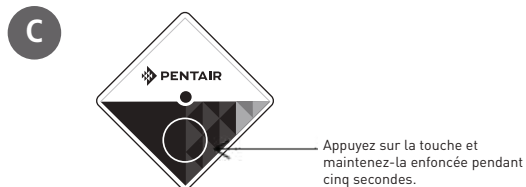
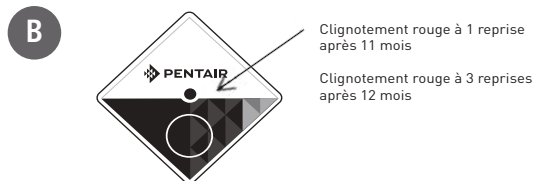
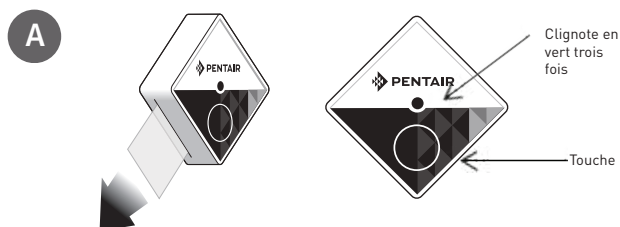
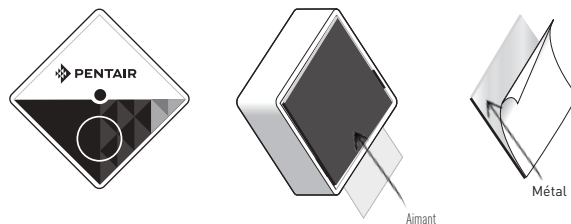
NOTE: Il est possible de vérifier l'état de la cartouche immédiatement en pressant le bouton et en le relâchant.

Réinitialisation de la minuterie

1. Pour réinitialiser la minuterie après le remplacement de la cartouche filtrante, pressez la touche et maintenez-la enfoncée 5 secondes. La minuterie est réinitialisée pour une période de 12 mois (figure C).

Remplacement de la pile

1. Remplacez la pile après 12 mois. Pour remplacer la pile, repérez la fente sur la paroi latérale du boîtier de la minuterie et retirez délicatement la partie avant de la minuterie. Il est à présent possible d'accéder à la pile (figure D).
2. Insérez la pile dans son logement, côté positif (+) vers le haut. Alignez la patte à l'arrière de la minuterie sur la fente de la partie avant et pressez pour joindre les deux pièces. Le remplacement de la pile ne réinitialisera pas l'échéance de 12 mois de la minuterie. Si une réinitialisation est requise, appuyez sur la touche et maintenez-la enfoncée pendant cinq secondes.



CONTRÔLEUR MDT

(SYSTÈMES SOUS SURVEILLANCE UNIQUEMENT)

Le modèle GR0-475M est doté d'un contrôleur MDT qui surveille la réduction de la teneur de l'eau en matières dissoutes totales (MDT). Le contrôleur MDT permet à l'utilisateur de vérifier la qualité de l'eau produite par le système. Soumettez l'appareil à un essai si un changement notable survient dans le goût de l'eau potable.

Le contrôleur MDT affiche les couleurs suivantes lorsque vous appuyez sur le bouton d'essai :

Voyant rouge (à gauche) : Analyse de la qualité de l'eau requise; passez à l'étape suivante.

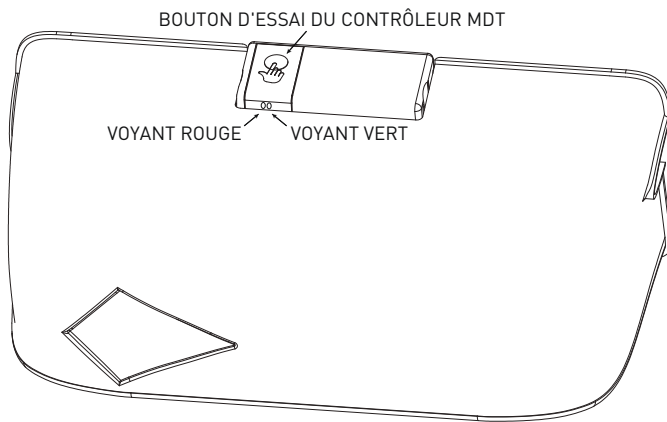
1. Soutirez un gallon d'eau de l'appareil afin d'évacuer l'eau stagnante des sondes du moniteur MDT.
2. Appuyez sur le bouton pour faire un nouvel essai. Si le voyant rouge s'allume de nouveau, ouvrez le robinet et laissez couler l'eau jusqu'à ce que le réservoir de stockage soit vide. Le débit du robinet diminue sensiblement, ce qui indique que le réservoir de stockage est vide.
3. Fermez le robinet et laissez le système remplir le réservoir de stockage, ce qui peut prendre 2 à 3 heures.
4. Appuyez sur le bouton pour faire un essai. Si le voyant rouge est toujours allumé, remplacez la cartouche à membrane.

Voyant vert (à droite) : Le système est fonctionnel.

Voyants rouge et vert : Vérifiez si les sondes de conductivité d'admission et de sortie sont sèches, ce qui indiquerait que le système n'est pas alimenté en eau.

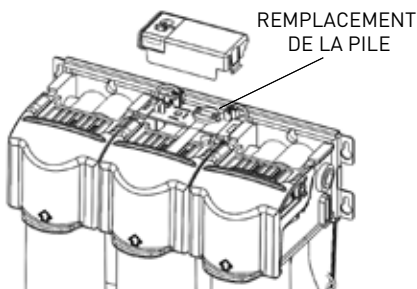
Aucun des deux voyants : Il faut remplacer la pile. Remplacez la pile après 12 mois.

NOTE : Pour activer le contrôleur MDT au moment de l'installation initiale, il faut retirer la languette en plastique du contrôleur.



Remplacement de la pile

1. Remplacez la pile après 12 mois. Pour remplacer la pile, enlevez le couvercle du contrôleur MDT et retirez la pile de son support.
2. Faites glisser la nouvelle pile dans le logement, côté positif (+) vers le haut.
3. Replacez le couvercle du contrôleur MDT et appuyez sur le bouton pour vérifier si le contrôleur fonctionne.



GUIDE DE DÉPANNAGE

Fuites à l'emplacement de la vanne du réservoir

1. Ouvrez le robinet d'eau potable afin de vider le réservoir de stockage. Laissez couler l'eau potable jusqu'à ce qu'elle goutte. Coupez l'arrivée d'eau froide.
2. Appuyez sur la bague blanche du raccord de la vanne du réservoir et retirez le tuyau. Dévissez la vanne du réservoir de stockage. Appliquez de nouveau du ruban à plomberie sur les filetages au sommet du réservoir. Revissez la vanne sur le réservoir. Coupez 1/2 po de l'extrémité du tuyau et réinsérez le tuyau dans le raccord de la vanne du réservoir sur une longueur de 5/8 po.
3. Ouvrez l'arrivée d'eau froide et fermez le robinet de l'osmoseur. Laissez le système monter en pression pendant plusieurs heures et vérifiez s'il y a des fuites. Vérifiez de nouveau une fois que le réservoir est entièrement sous pression.

Fuites à l'emplacement des raccords rapides

1. Fermez l'arrivée d'eau froide et la vanne du réservoir.
2. Appuyez sur la bague en plastique et retirez le tuyau.
3. Coupez 1 po du tuyau et tracez une marque à 5/8 po de l'extrémité. Le tuyau doit être coupé d'équerre. Les bavures internes et externes doivent être enlevées.
4. Insérez le tuyau dans le raccord sur une longueur de 5/8 po.
5. Ouvrez l'arrivée d'eau froide et la vanne du réservoir. Si la fuite persiste, communiquez avec le soutien technique.

Teneur élevée en MDT dans l'eau filtrée

Si le contrôleur MDT ou une analyse des MDT indiquent de fortes concentrations de MDT (matières dissoutes totales) dans votre eau filtrée, il se peut que la membrane doive être remplacée ou que le régulateur de débit d'eau usée soit colmaté. Demandez à votre détaillant ou à un plombier de vérifier la teneur en MDT de l'eau filtrée.

Baisse de la production

Un débit nul ou faible d'eau filtrée indique généralement un colmatage de la cartouche.

Retour graduel du goût et de l'odeur

Le retour graduel du goût et de l'odeur désagréable peut indiquer que vos cartouches doivent être remplacées.

Retour soudain du goût et de l'odeur

Si, peu après une révision complète, le goût et les odeurs reviennent, communiquez avec le soutien technique.

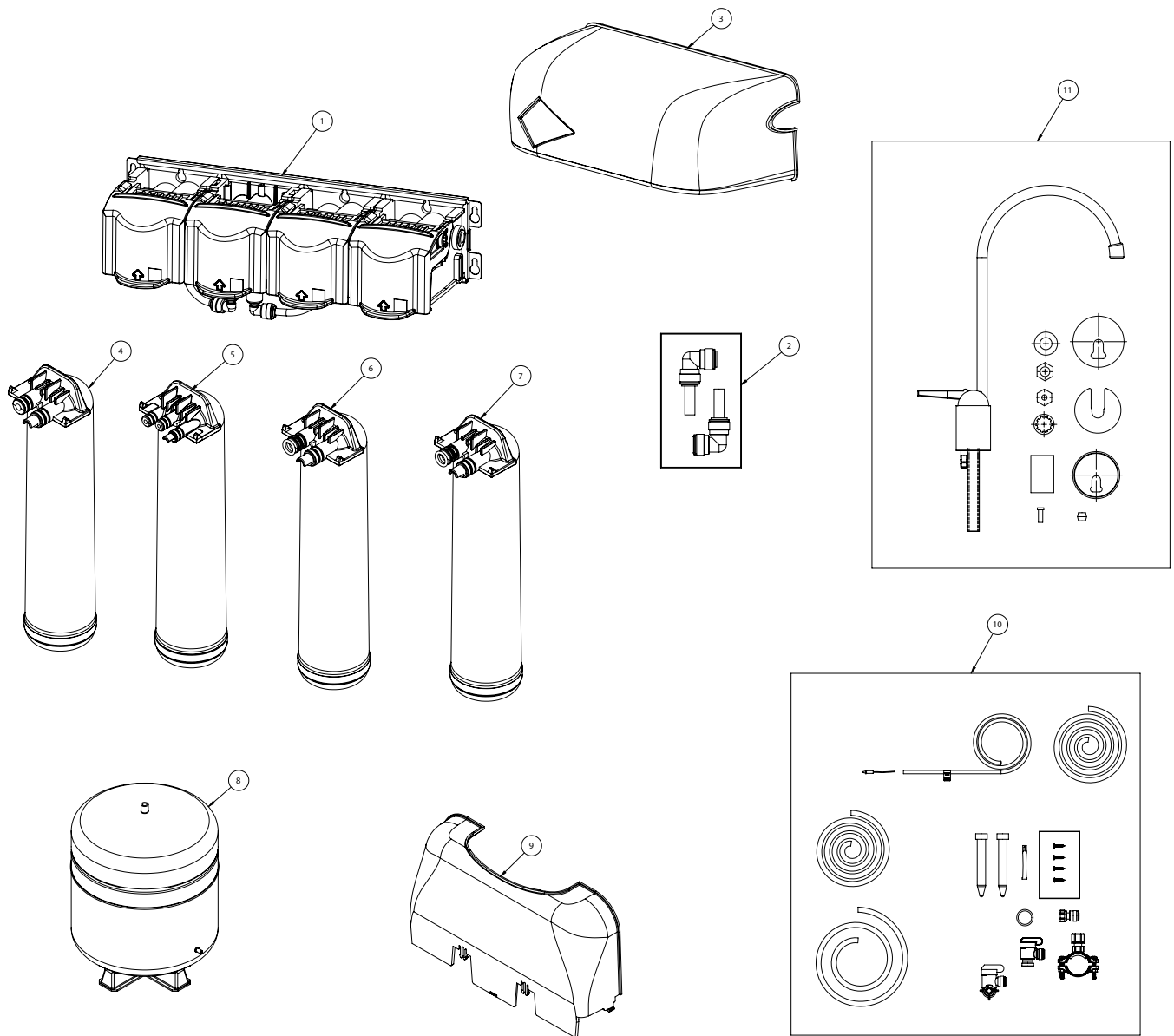
Absence de pression d'eau dans le robinet d'eau potable ou faible volume d'eau dans le réservoir

1. Fermez l'arrivée d'eau froide au système.
2. Soulevez le réservoir de stockage pour vérifier s'il est vide. S'il ne l'est pas, ouvrez le robinet d'eau potable pour évacuer l'eau du réservoir.

NOTE : Il peut être nécessaire d'injecter une petite quantité d'air dans le réservoir à l'aide d'une pompe à vélo afin d'évacuer toute l'eau.

3. Une fois le réservoir vide, utilisez un manomètre pour vérifier la pression du réservoir. La pression à l'intérieur d'un réservoir vide devrait se situer entre 5 et 7 lb/po². Augmentez ou diminuez la pression d'air à l'intérieur du réservoir en conséquence.
4. Ouvrez l'arrivée d'eau froide. Laissez le système fonctionner pendant trois heures afin de remplir le réservoir, puis vérifiez le rendement du système. Si le rendement ne s'est pas amélioré, communiquez avec le soutien technique.

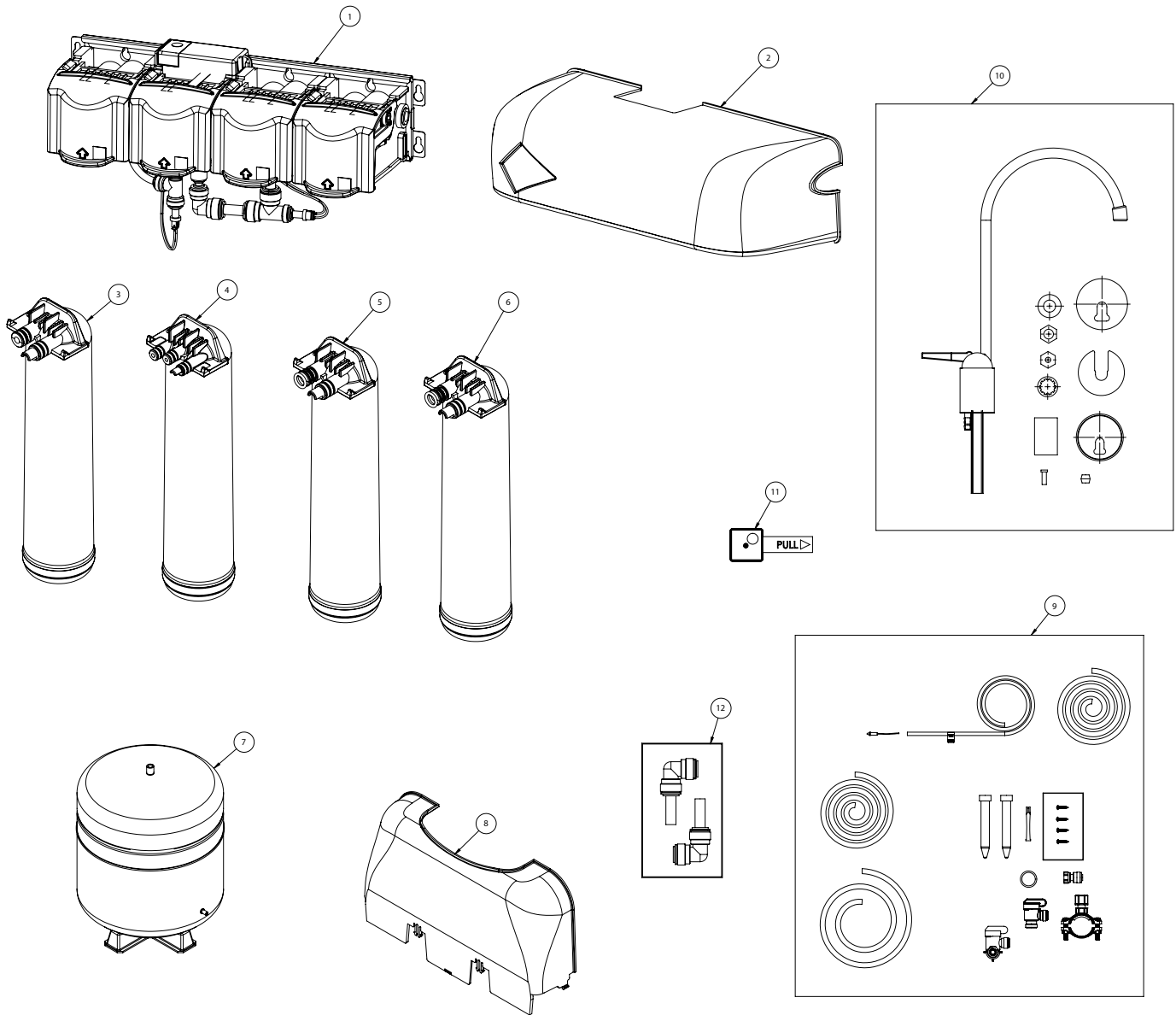
GUIDE DES PIÈCES DU MODÈLE GRO-475B



NUMÉRO D'ARTICLE	NUMÉRO DE PIÈCE	DESCRIPTION	QTÉ
1	4005009	TÊTE DE FILTRE OI, MODÈLE GRO-475B	1
2	4004588	TROUSSE, TUYAUX ET COUDES, OI	1
3	4004916	ENS., 4 ÉTAPES, COUVERCLE, AIMANT	1
4	655123-96	FDF1-RC	1
5	655122-96	GR075-RC	1
6	655120-96	F1B1-RC	1
7	655117-96	F1GC-RC	1
8	244877	RÉSERVOIR, OI (ACIER 4,4 GAL) 1/4 PO NPT	1
9	4003280	CAPOT, ARRÊT AUTO	1
10	4004662	TROUSSE, SYSTÈME OI 75 GAL/J	1
11	244820	ROBINET AVEC COUPURE ANTI-RETOUR	1

Pour obtenir des pièces de rechange, communiquez avec le détaillant de filtres à eau le plus près de chez vous ou composez le **1 800 279-9404**.

GUIDE DES PIÈCES DU MODÈLE GRO-475M



NUMÉRO D'ARTICLE	NUMÉRO DE PIÈCE	DESCRIPTION	QTÉ
1	4005012	TÊTE DE FILTRE OI, MODÈLE GRO-475M	1
2	4004920	ENS., 4 ÉTAPES, COUVERCLE, AIMANT	1
3	655123-96	FD1-RC	1
4	655122-96	GR075-RC	1
5	655120-96	F1B1-RC	1
6	655117-96	F1GC-RC	1
7	244877	RÉSERVOIR, RO (ACIER 4,4 GAL) 1/4 PO NPT	1
8	4003280	CAPOT, ARRÊT AUTO	1
9	4004662	TROUSSE, SYSTÈME OI 75 GAL/J	1
10	244820	ROBINET AVEC COUPURE ANTI-RETOUR	1
11	4003641	MINUTERIE, CARTOUCHE FILTRANTE	1
12	4004588	TROUSSE, TUYAUX ET COUDES, OI	1

DONNÉES SUR LA PERFORMANCE

IMPORTANT :

Lisez les données de performance et comparez les capacités du système à vos besoins de traitement d'eau.

Il est recommandé de faire analyser l'eau d'alimentation avant d'installer un système de traitement d'eau afin de déterminer vos besoins réels de traitement d'eau.

Ce système a été mis à l'essai en regard de la norme NSF/ANSI 58 pour la réduction des substances indiquées ci-dessous. La concentration des substances indiquées dans l'eau entrant dans le système a été réduite à une concentration inférieure ou égale à la limite autorisée pour l'eau sortant du système, conformément à la norme NSF/ANSI 58.

Le modèle GRO-475B / GRO-475M ne devrait être utilisé que pour réduire la teneur en arsenic de l'eau d'alimentation chlorée contenant des résidus détectables de chlore libre à l'entrée du système. Dans les systèmes de filtration qui utilisent un dispositif de chloration, l'eau devrait demeurer en contact avec le chlore pendant une minute avant d'être filtrée par osmose inverse.

AVERTISSEMENT N'utilisez pas le système avec de l'eau insalubre microbiologiquement ou de qualité inconnue sans désinfection adéquate en amont ou en aval du système. Les systèmes homologués pour réduction des kystes peuvent être utilisés avec de l'eau désinfectée pouvant contenir des kystes filtrables.

NOTE : Les substances réduites ne sont pas forcément présentes dans votre eau. Le filtre doit être entretenu conformément aux directives du fabricant, y compris le remplacement des cartouches filtrantes.

L'efficacité éprouvée de ces systèmes est de 22,05 %. L'efficacité est la mesure du pourcentage de l'eau brute pénétrant dans le système qui est fourni à l'utilisateur sous forme d'eau traitée par osmose inverse dans des conditions de service qui simulent l'usage quotidien type.

Le taux de récupération éprouvé est de 38,65 %. La récupération est la mesure du pourcentage de l'eau brute qui traverse la membrane du système et qui est fourni à l'utilisateur sous forme d'eau traitée par osmose inverse lorsque le système fonctionne sans réservoir de stockage ou que le réservoir est contourné.

Le modèle GRO-475B / GRO-475M a été mis à l'essai pour le traitement d'eau contenant de l'arsenic pentavalent [aussi appelé As(V), As(+5) ou arséniate] dans des concentrations de 0,050 mg/L ou moins. Ce système réduit l'arsenic pentavalent mais peut ne pas éliminer d'autres formes d'arsenic. Il devrait être utilisé pour traiter de l'eau contenant des résidus détectables de chlore libre ou dont il a été démontré qu'elle contient uniquement de l'arsenic pentavalent. Le traitement à la chloramine (chlore combiné) n'est pas suffisant pour assurer la conversion complète de l'arsenic trivalent en arsenic pentavalent. Pour de plus amples renseignements, veuillez consulter la section Faits sur l'arsenic de la fiche signalétique de l'arsenic.

EPA N° 082989-CHN-001

Taux de production du système : 21,08 gal/j (79,77 L/j)

Taux de récupération : 41,05 %

Efficacité : 23,57 %

Rejet de MDT : 96,3 %



Système mis à l'essai et homologué par NSF International en regard des normes NSF/ANSI 42, 53 et 58 et CSA B483.1 pour la réduction des substances indiquées dans la fiche technique du produit.

SYSTÈME GRO-475B/GRO-475M MUNI D'UNE CARTOUCHE FILTRANTE FDF1-RC, GRO75-RC, F1B1-RC OU F1GC-RC

Modèle GRO-475B / GRO-475M

Substance	Concentration infiltrante	Concentration maximale admissible dans l'eau filtrée	Exigences de réduction	Réduction moyenne
Norme 42				
Goût et odeur de chlore	2,0 mg/L ± 10 %		≥ 50 %	95,9 %
Norme 53				
Kystes*	Minimum de 50 000/L		99,95 %	99,99 %
Atrazine	0,009 mg/L ± 10 %	0,003 mg/L		93,7 %
Plomb (pH 6,5)	0,15 mg/L ± 10 %	0,010 mg/L		99,9 %
Plomb (pH 8,5)	0,15 mg/L ± 10 %	0,010 mg/L		99,6 %
Lindane	0,002 mg/L ± 10 %	0,0002 mg/L		97,4 %
Norme 58				
Matières dissoutes totales	750 ± 40 mg/L	187 mg/L		96,3 %
Arsenic pentavalent	0,050 mg/L ± 10 %	0,010 mg/L		88,0 %
Fluorure	8,0 mg/L ± 10 %	1,5 mg/L		93,6 %
Kystes*	Minimum de 50 000/mL		99,95 %	99,99 %
Turbidité	11 mg/L ± 1 uTN	0,5 uTN		> 99,1 %
Plomb	0,15 mg/L ± 10 %	0,010 uTN		98,6 %
Sélénium	0,10 mg/L ± 10 %	0,05 mg/L		97,9 %
Cuivre	3,0 mg/L ± 10 %	1,3 mg/L		98,5 %
Cadmium	0,03 mg/L ± 10 %	0,005 mg/L		99,1 %
Chrome hexavalent	0,3 mg/L ± 10 %	0,1 mg/L		96,4 %
Chrome trivalent	0,3 mg/L ± 10 %	0,1 mg/L		98,2 %
Radium 226/228	25 pCi/L ± 10 %	5 pCi/L		80,0 %
Baryum	10,0 mg/L ± 10 %	2,0 mg/L		96,3 %

* Homologué selon les normes NSF/ANSI 53 et 58 pour réduire les kystes comme Cryptosporidium et Giardia par des moyens mécaniques.

Fiche signalétique de l'arsenic

L'arsenic (As) est naturellement présent dans l'eau de certains puits. L'arsenic qui se trouve dans l'eau est incolore, inodore et insipide. Il est mesuré par des analyses de laboratoire. Les services d'approvisionnement en eau doivent demander des analyses afin de détecter la présence d'arsenic. Vous pouvez obtenir les résultats de ces analyses auprès de votre service public. Si vous avez votre propre puits, vous pouvez faire analyser son eau. Le service de santé de votre localité ou l'agence environnementale de votre province peuvent fournir une liste des laboratoires accrédités.

Il existe deux formes d'arsenic : l'arsenic pentavalent [aussi appelé As(V), As(+5) ou arséniate] et l'arsenic trivalent [aussi appelé As(III), As(+3) ou arsénite]. Dans l'eau de puits, l'arsenic peut être pentavalent, trivalent ou une combinaison des deux. Il faut utiliser des méthodes d'échantillonnage spéciales pour que le laboratoire soit en mesure de déterminer le type d'arsenic et la quantité de chaque type d'arsenic présente dans l'eau. Communiquez avec les laboratoires de votre localité afin de savoir s'ils fournissent ces services.

Les systèmes de traitement de l'eau à osmose inverse (OI) ne filtrent pas efficacement l'arsenic trivalent de l'eau. Les systèmes OI sont toutefois très efficaces pour éliminer l'arsenic pentavalent. Le chlore libre résiduel convertira rapidement l'arsenic trivalent en arsenic pentavalent. D'autres produits chimiques utilisés pour le traitement de l'eau, comme l'ozone et le permanganate de potassium, transformeront également l'arsenic trivalent en arsenic pentavalent. Le chlore combiné, ou chloramine, peut ne pas convertir tout l'arsenic trivalent. Si vous tirez votre eau d'un réseau d'approvisionnement public, vous pouvez demander au service public si du chlore libre ou du chlore combiné est utilisé dans le réseau.

Le système GRO-475B /RO-475M est conçu pour éliminer l'arsenic pentavalent. Il ne convertit pas l'arsenic trivalent en arsenic pentavalent. Le système a été mis à l'essai en laboratoire. Dans ces conditions, le système a fait passer les concentrations d'arsenic pentavalent de 0,050 mg/L (ppm) à 0,010 mg/L (ppm), soit la norme de l'EPA, pour l'eau potable, ou moins. La performance de votre système peut être différente. Faites analyser l'eau traitée pour détecter la présence d'arsenic et vérifier ainsi si le système fonctionne correctement.

Vous devez remplacer l'élément d'osmose inverse du système GRO-475B / GRO-475M tous les 12 à 24 mois afin de vous assurer que le système continue à éliminer l'arsenic pentavalent. Le manuel d'installation et d'utilisation renferme une liste des composants et indique à quel endroit vous pouvez vous les procurer.

For Pentair Product Warranties visit: } **waterpurification.pentair.com**
Pentair para las gasantías de los productos visite: }
Pour Pentair garanties produit visitez le site: }



WATER QUALITY SYSTEMS

5730 NORTH GLEN PARK ROAD, MILWAUKEE, WI 53209
P: 262.238.4400 | WATERPURIFICATION.PENTAIR.COM | CUSTOMER CARE: 800.279.9404 | tech-support@pentair.com

[§]For a detailed list of where Pentair trademarks are registered, please visit waterpurification.pentair.com/brands.
Pentair trademarks and logos are owned by Pentair plc or its affiliates. Third party registered and unregistered trademarks and logos are the property of their respective owners.

4003613 REV A FE17 © 2017 Pentair Residential Filtration, LLC All Rights Reserved.