



**EASY REPLACEMENT**  
No Tools Means No Tools!



WH

# GNE<sup>®</sup> E3

Water Filtration Simplified<sup>®</sup>

## WH ANTISCALE WHITE SERIES FILTERS

Antiscale **white** series filters are unique and high-capacity scale reduction cartridges that run in upflow service. The cartridge is designed to reduce the harmful effects of hardness and scale formation that can negatively affect the life and performance of appliances, shower and sink faucets, and many other household items. It also reduces the effect of scale build-up on glass and many other surface types.

The white series design incorporates patented Vortech<sup>®</sup> full distributor plate technology, providing uniform distribution and utilization of the media bed along with maximum efficiencies and service flow rates.

Each filter comes with a unique handle design for lightweight and easy removal, a bag for proper disposal, and a double O-ring connection into the Cartridge Tank<sup>®</sup> plumbing adapter. Plumbing connection options are available with the **ONE-E3<sup>®</sup> Cartridge System**.

White series filters are available in the following configurations:

**CT-MEDIA05-ANTSC:** Full 3L of antiscale control filtration media used with Vortech<sup>®</sup> technology in upflow service.

### FEATURES

0.5 ft <sup>3</sup> empty media bottle	Rings on bottom of bottle
Polyethylene construction	Double Buna-N O-ring seals
Vortech distributor plate	Locking or removable top cap

### BENEFITS

Extended service life and high capacity contaminant removal	Upflow service and full utilization of the media bed
High chemical resistance	Ease of handling
Ensures no bypass of contaminants and high chemical compatibility	Low pressure drop = high flow

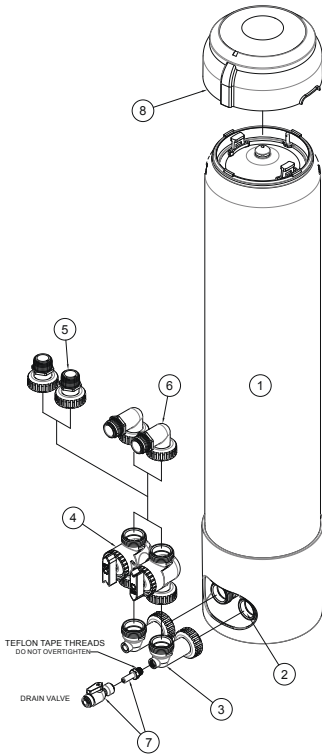
### APPLICATIONS

Ideal for residential, food/beverage service, rental fleets, service DI exchange, POE, rental programs, exchange systems, plating solutions, commercial and industrial applications

Metal finishing, oxidizing agents, corrosive fluids, electronics, pre-RO, process water, waste water, cooling towers, make-up water, polishing filters, primary filtration, high-purity pre- or post-filtration



## TECHNICAL SCHEMATICS

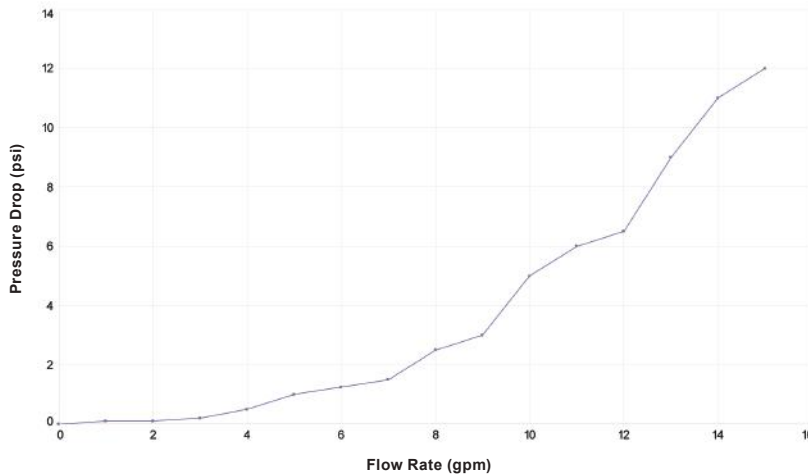


### PART IDENTIFICATION

1. ONE-E3 Filtration System/Housing
2. In/Out Head for 1.050" Riser Pipe
3. 90 Degree Vertical Elbow With/without Machined Drain Port
4. Bypass Manifold
5. 1" MNPT Straight Connector
6. 1" MNPT 90 Degree Elbow Connector
7. 3/8" PEX Drain Valve Kit Assembly With Shut-off
8. PCB Umbrella Without Electronics

## FILTER PERFORMANCE

E3 Antiscale Cartridge Flow Performance



Performance claims are based on independent lab results and manufacturer's internal test data. Actual performance is dependent on influent water quality, flow rates, system design and applications. Your results may vary. Micron ratings based on 85% or greater removal of a given particle size. Flush new cartridges until water runs clear prior to use. Do not use with water that is microbiologically unsafe or of unknown quality without adequate disinfection before or after the system.



ENPRESS®, ONE®, CARTRIDGE TANK®, E3®, AND UMBRELLA CAP® are trademarks of ENPRESS, LLC. US and International patents, and patent pending.

For more information, visit [enpress.com](http://enpress.com) or [onefiltration.com](http://onefiltration.com)

ENPRESS, LLC. // 34899 Curtis Blvd., Eastlake Ohio 44095 // Phone: 866.859.9274 // Fax: 440.510.0202 // [info@enpress.com](mailto:info@enpress.com)

© ENPRESS LLC 2023 | ONE® is an ENPRESS Filtration Technology | 03/2023

## E3 FILTRATION SYSTEM INTEGRATED BYPASS, METER & DRAIN CONNECTION SYSTEM



The E3 connection system is available to use with all POE (point-of-entry) filters in the blue, green, yellow, orange, silver and white filtration series.

## EASY REPLACEMENTS NO TOOLS REQUIRED

1. PRESS THE RED PRESSURE RELIEF VALVE TO UNSEAT THE RING



2. REMOVE SNAP RING



3. LIFT TOP CAP



## BETTER FILTRATION THERE'S NO COMPETITION

**CT-MEDIA05-FOAM:** Upflow expansion pad included with filter to promote consistent service flow rates and reduced pressure drop.

## WATER CHEMISTRY & LIMITATIONS

Maximum effective treatment flow rate	12 GPM
pH	6.5 to 8.5
Hardness, max.	75 grains (1,300 ppm CaCO <sub>3</sub> )
Temperature	41 to 140 °F (5–60 °C)
Chlorine	<2 ppm
Iron, ferrous	<0.1 mg/l
Manganese	<0.05 mg/l
Copper	<0.5 mg/l
Oil & Polyphosphates	Remove prior to this cartridge
H <sub>2</sub> S	Must be removed prior to this cartridge