

POINT-OF-USE MEETS POINT OF DIFFERENTIATION

Show up the competition as you up-sell your customers! Now dealers and distributors can match a high style RO faucet with today's high-end kitchens. Made of high quality lead-free brass, our new designer faucet is a real standout – and a great opportunity for you to set yourself apart!

- Combines quality and style with up-sell appeal
- Retrofits most brands
- Smooth operating ceramic disk element
- Lever style handle
- Standard finish is highly polished chrome; other designer finishes available (see back)
- High reach neck design of 12" (305 mm); optional shorter neck also available
- Neck swivels easily, 360°
- Unique protective spout tip prevents after drip
- Modular air gap (patent pending)
- Base diameter is 2-1/4" (57 mm)
- Preinstalled tubing for quick connections
- Mounting hardware included
- NSF listed to ANSI NSF Std. 61-1999a
- Two-year warranty

tomlinson[®]

World Class, Worldwide



DESIGNER RO FAUCET



Our RO faucet is available in nine designer finishes to match the décor of today's high-end kitchens.
(Colors may vary slightly from printed samples shown.)

Model No	Description	Model No	Description
1019299	Designer RO Faucet, polished chrome	1019309	Designer RO Faucet, polished brass
1019301	Designer RO Faucet, satin nickel	1019311	Designer RO Faucet, antique bronze
1019303	Designer RO Faucet, white	1019307	Designer RO Faucet, black
1019305	Designer RO Faucet, biscuit	1019444	Designer RO Faucet, bright nickel
		NEW! 1020518	Designer RO Faucet, brushed stainless finish (not shown)

Note: Spout reach is approximately 5" (127 mm). Faucet is 12" (305 mm) high. Preinstalled 1/4" inlet tubing.
Pressure rating is 125 PSI/8.3 BAR. Flow rate is 1.0 gpm/3.785 lpm at 35 PSI/2.32 BAR.
Temperature rating is 40°F/4°C to 150°F/66°C.



Preinstalled tubing and easy-to-use mounting hardware make installation fast and simple.

600 PBR Series Designer RO Faucet



Features:

- Retrofits most brands
- Smooth operating ceramic disk element
- Lever style handle
- High reach neck design of 12" (305 mm)
- Neck swivels 360°
- Protective spout tip prevents after drip
- Patented modular air gap (U.S. patent #7,011,106)
- Base diameter is 2-1/4" (57 mm)
- Two year warranty
- Spout reach is approximately 5" (127 mm)
- Pressure rating: 125 PSI/8.6 BAR
- Flow rate: 1.0 gpm/3.785 lpm at 35 PSI/2.32 BAR
- Temperature rating: 40°F/4°C to 150°F/66°C
- 1/4" OD x 30" tubing pre-installed
- Includes installation hardware and instructions

Colors/Finishes:

- Polished chrome (#1019299)
- Satin nickel (#1019301)
- White (#1019303)
- Biscuit (#1019305)
- Polished brass (#1019309)
- Antique bronze (#1019311)
- Black (#1019307)
- Bright nickel (#1019444)
- Brushed Stainless (#1020518)

Common Replacement Parts:

- Cartridge (#1917362)

Technical dimensions on reverse side.

Codes Applicable:

● The 600 PBR Series Designer RO Faucet is certified to NSF/ANSI Standard 61 – Annex G. These Designer RO Faucets are low-lead plumbing products and are in compliance with California's Health and Safety Code (Section 116875; commonly known as AB1953).

- ADA Compliance - ANSI A117.1

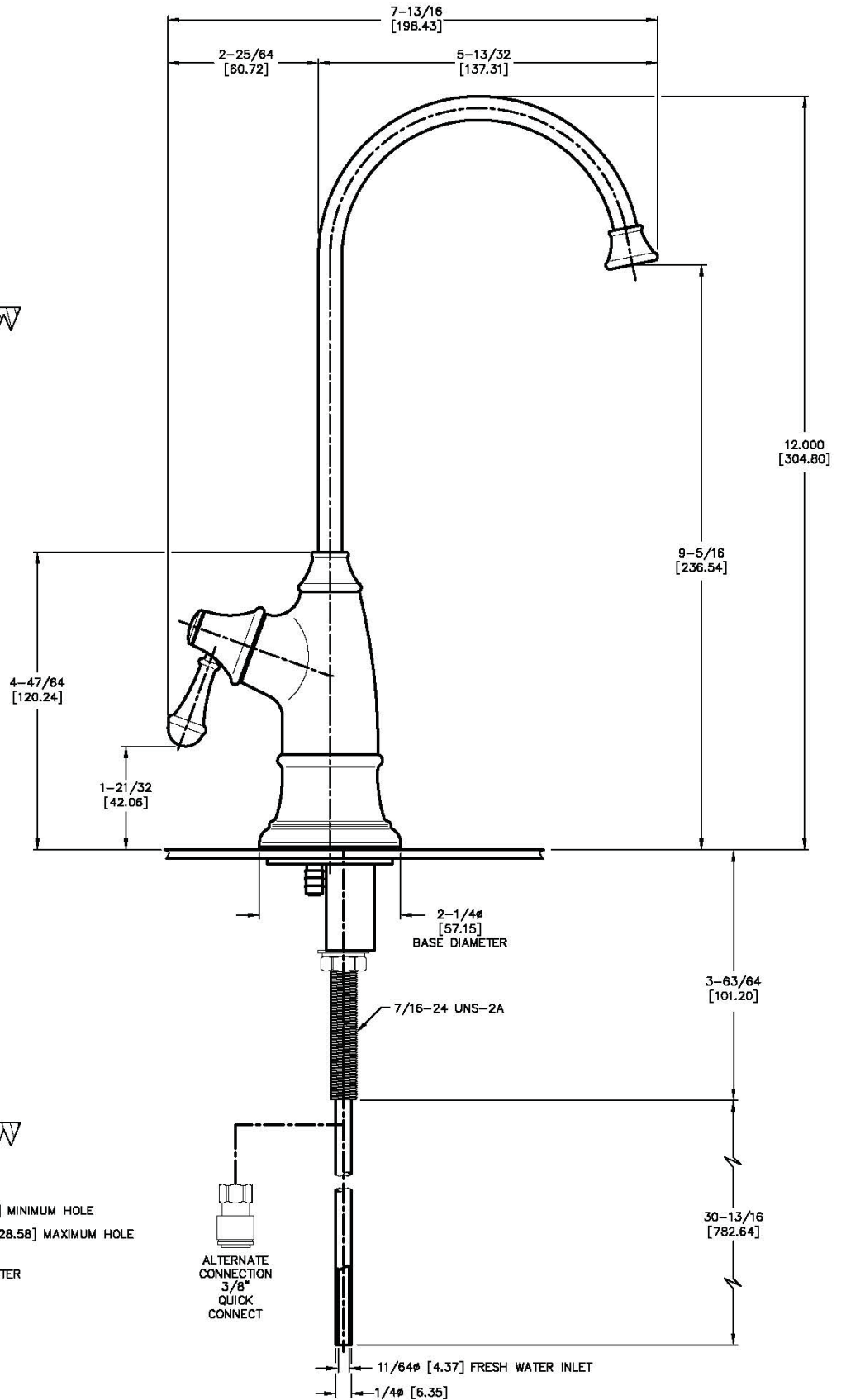
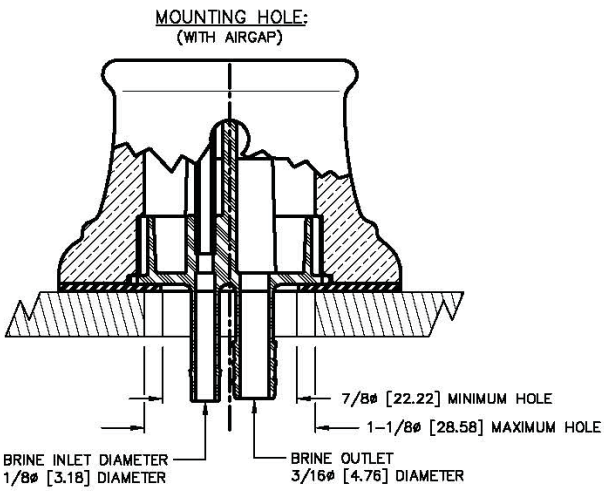
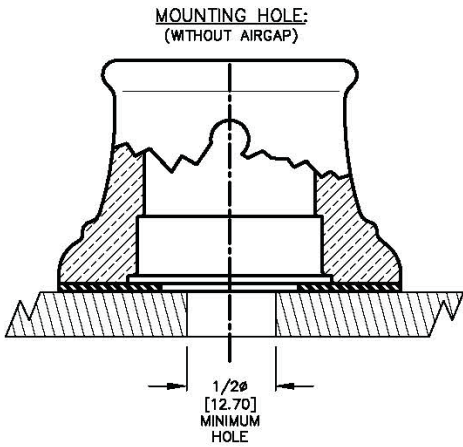
Technical dimensions on reverse side.

www.tomlinsonind.com



Certified to NSF/ANSI 61
Section 5-G





600 PBRHC Series Designer Hot and Cold Faucets

Features:

- Smooth operating ceramic disk element
- Lever style handle
- High reach neck design of 12" (305 mm)
- Neck swivels 360°
- Protective spout tip prevents after drip
- Two-year warranty
- Spout reach is approximately 5" (127 mm)
- Pressure rating: 125 PSI/8.6 BAR
- Flow rate: varies depending on instant hot water dispenser
- Temperature rating: 40°F/4°C to 190°F/88°C
- 1/4" OD x 30" tubing pre-installed
- Includes installation hardware and instructions

Compatible with the following hot water dispensers:

- Waste King® (Anaheim Mfg.)
- Everpure® Everhot EV931840
- HT200 Franke® Little Butler Heating Tank
- Everpure® Commercial Grade Instant Hot CGHE1
- Little Gourmet®
- KitchenAid® (Whirlpool®)
- Mountain Plumbing MT641
- Quick & Hot® Waterstone #5000 Hot Tank
- Solaria™ Instant Hot Water Dispenser EV9318-40

**Not compatible with InSinkErator® products.*

Codes Applicable:

● The 600 PBRHC Series Designer Hot and Cold Faucet is certified to NSF/ANSI Standard 61 – Annex G. These faucets are low-lead plumbing products and are in compliance with California's Health and Safety Code (Section 116875; commonly known as AB1953).

● Compliant with pending revisions to the USEPA Safe Drinking Water Act with effectivity January 4, 2014.

● ADA Compliance - ANSI A117.1

tomlinson[®]

Technical dimensions on reverse side.

www.tomlinsonind.com



Colors/Finishes:

- Polished chrome (#1022305)
- Satin nickel (#1020899)
- Antique bronze (#1020900)
- Brushed Stainless (#1020905)

Common Replacement Parts:



